

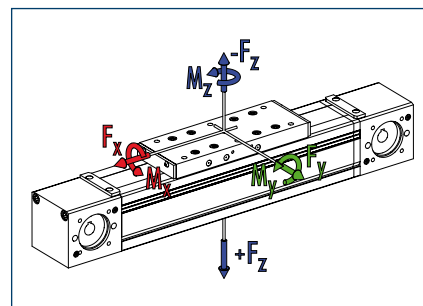
B 100D-ASS

Linear Axes • Toothed-belt Drive

Advantages of profiled rail guide

- High load bearing capacity
- Long lifetime
- High precision

Loads and load torques



Load		Dynamic
■ F_x^{**}	[N]	2200
■ F_y	[N]	1800
■ F_z	[N]	4000
■ $-F_z$	[N]	3000
Load torques		Dynamic
■ M_x	[Nm]	350
■ M_y	[Nm]	950
■ M_z	[Nm]	950
■ $M_{z_{max}}$	[Nm]	86.5

** Maximum value = Depending on speed

① Values in brackets relate to the long slide.

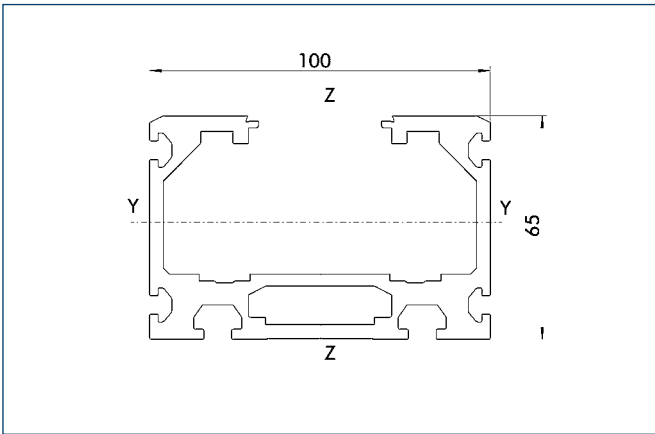
Technical data

Designation		B 100D-ASS
Max. travel speed	[m/s]	5
Repeat accuracy	[mm]	± 0.08
Max. acceleration	[m/s ²]	60
Idle torque	[Nm]	2.5
Drive		
Drive element	Toothed belt	40 AT 10-E
Travel per revolution	[mm]	240
Maximum stroke	[mm]	7680
Max. total length	[mm]	8100
Moment of inertia	[kgm ²]	0.012
Weights		
Basic without travel	[kg]	14.0
Travel per 100 mm	[kg]	0.9
Slide drive 400 mm	[kg]	8.6

B 100D-ASS

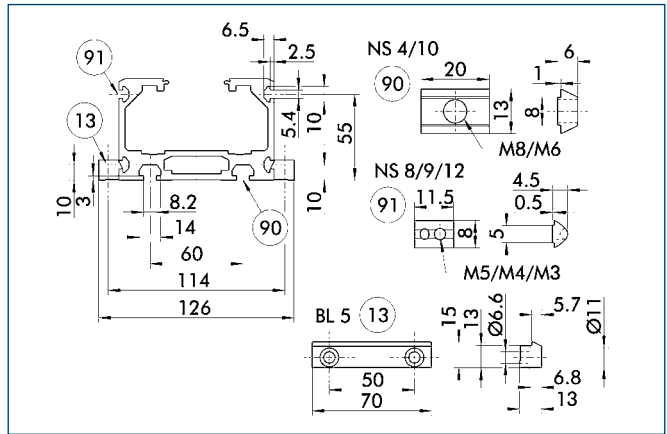
Linear Axes • Toothed-belt Drive

Profile ASS



Specific mass	[kg/m]	4.87
Planar dimension	[mm ²]	1804
Planar moment of inertia I _y	[mm ⁴]	917779
Planar moment of inertia I _z	[mm ⁴]	2328911
Load torque W _y	[mm ³]	23869
Load torque W _z	[mm ³]	46578

Mounting

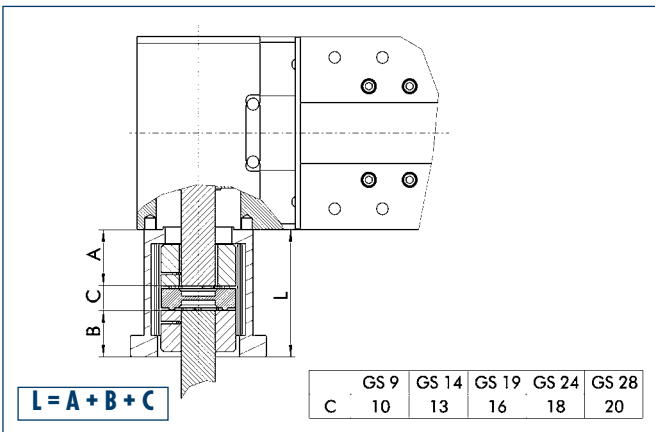


- 13 Mounting strip
- 90 T-nut on base side
- 91 Side T-nut

The profile can be secured either using T-nuts or mounting strips.

Designation	Order designation	ID no.
T-nut	NS4	0331407
T-nut	NS8	0331420
T-nut	NS9	0331421
T-nut	NS10	0331422
T-nut	NS12	0331424
Mounting strip	BL5	0331419

Motor flange schematic diagram



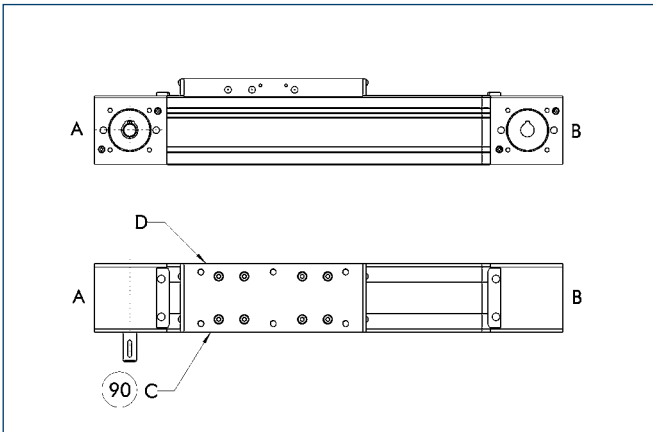
The table shows the relevant dimension **C** of the standard couplings. For dimension **A** refer to drive journal connection dimensions, for dimension **B** refer to corresponding motor dimension sheet, dimension **L** may differ in individual cases.

Different drive solutions can be attached to our axes. SCHUNK can supply you with the right motor flange and coupling for your drive.

① Because of the different thermal behavior of motors, we recommend that the drive solution is tested by the motor manufacturer.

More detailed information on pedestal bearings, connection shafts and bevel gears can be found in the "OPTIONS for System HSB" section of the catalog.

Limit switch position



90 Limit switch standard position

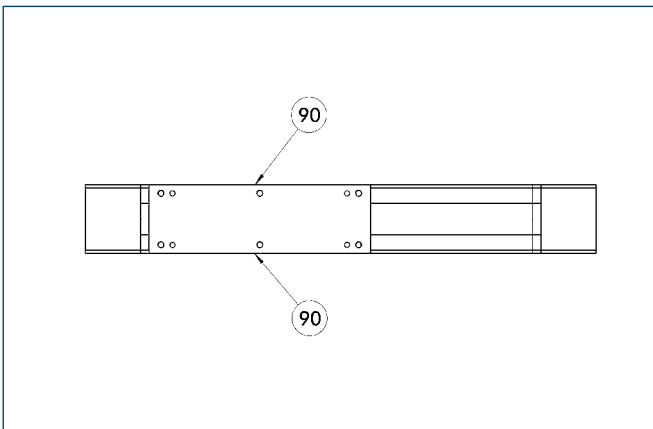
Two E02 switches are used as limit switches and an RS2 as the reference switch as standard.

① The positions and dimensions of limit switches, switching lugs, and mounting components may vary depending on the application and the selected limit switches. Please contact us for assistance.

Limit switch selection

Designation	Order designation	ID no.
Inductive limit switch, opener, 2 m cable	E02	0331410
Inductive limit switch, opener, 10 m cable	E010	0331412
Inductive limit switch, closer, 2 m cable	ES2	0331411
Inductive limit switch, closer, 10 m cable	ES10	0331413
Mechanical limit switch (Siemens), opener	EMS	0331414
Mechanical limit switch (Balluff), opener	EMB	0331415

Lubrication connections



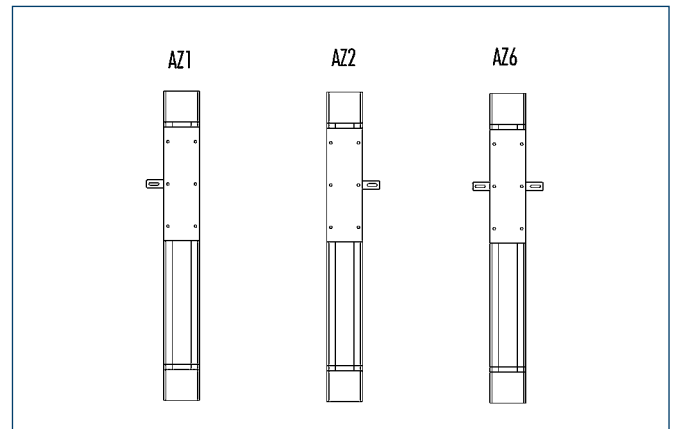
90 Standard lubrication connection

Standard connection

Lubrication nipple M8x1

If the lubrication connection has a different seat, this must be defined in the order text.

Drive shafts



Depending on the axis application, the drive shaft seat may need to be defined in the order text. Particularly with axis combinations and mechanical synchronization, multiple drive shafts - some of them continuous shafts - are required.

More detailed information on pedestal bearings, connection shafts and bevel gears can be found in the "OPTIONS for System HSB" section of the catalog.