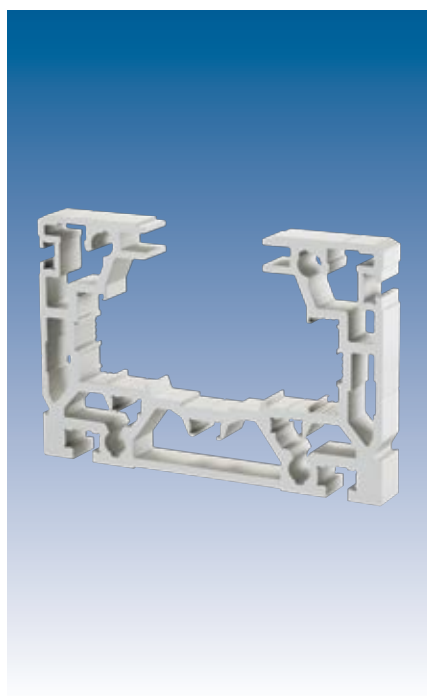


B 180C-ZRS/-ZSS

Linear Axes • Toothed-belt Drive



Advantages of roller guide

High maximum moments
due to optimum force transmission to the profile

Long stroke lengths
can be achieved with no problems

Life-time lubricated rollers
for easy maintenance use

Smooth, low-noise running

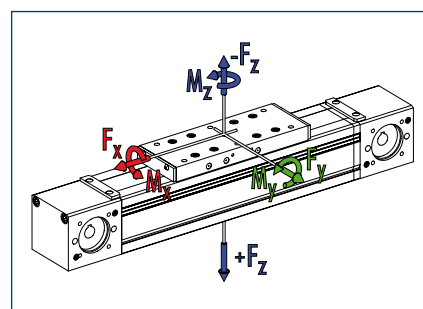
Advantages of profiled rail guide

High load bearing capacity

Long lifetime

High precision

Loads and load torques



Load		ZRS dynamic	ZSS dynamic
■ F_x^{**}	[N]	6000	6000
■ F_y	[N]	6000	8000
■ F_z	[N]	10000	15000
■ $-F_z$	[N]	6000	8000
Load torques		ZRS dynamic	ZSS dynamic
■ M_x	[Nm]	1200	1800
■ M_y	[Nm]	2000 (3000)	3600 (4800)
■ M_z	[Nm]	1200 (1800)	1800 (2400)
■ M_{Amox}	[Nm]	313.6	313.6

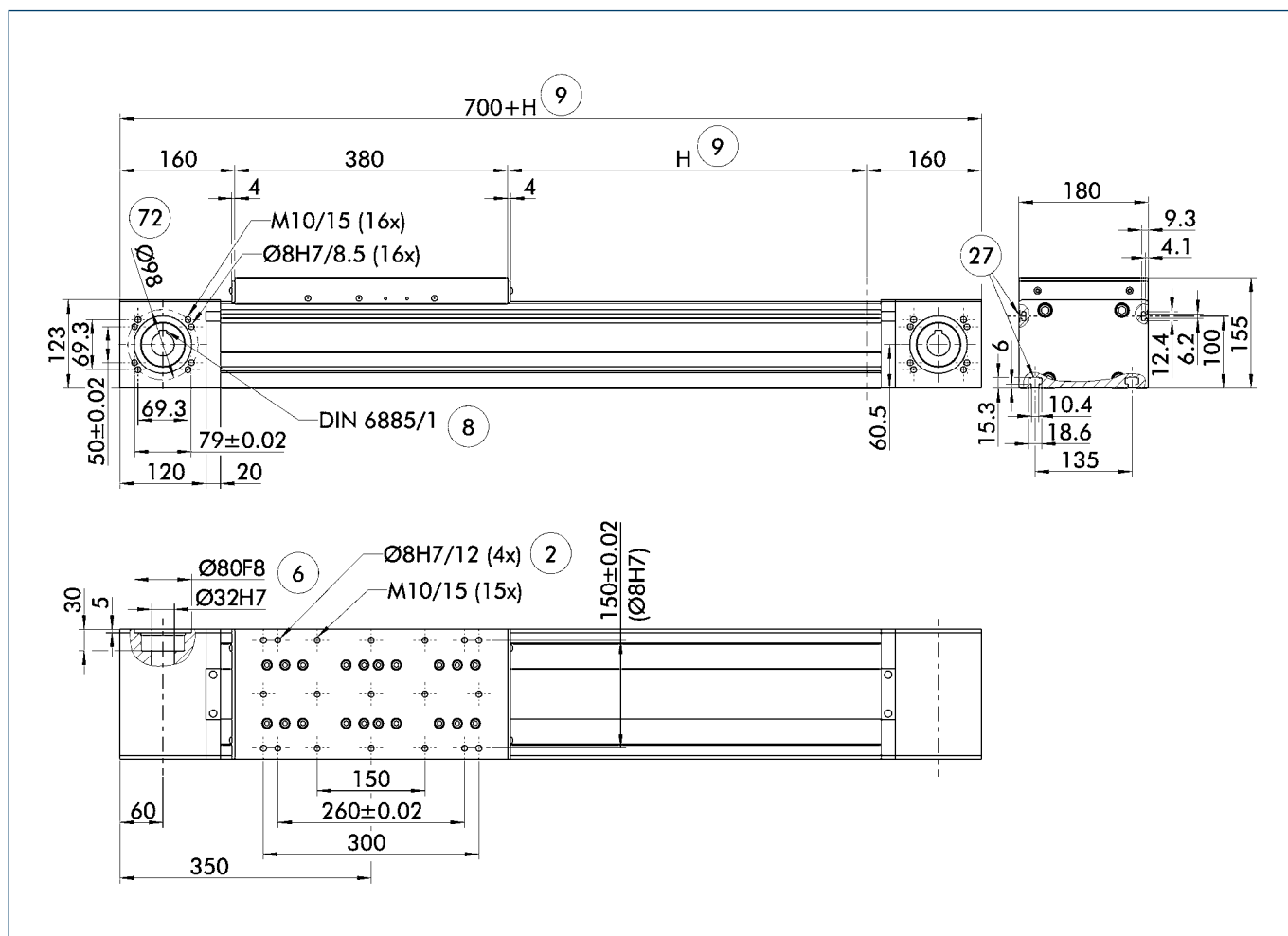
** Maximum value = Depending on speed

① Values in brackets relate to the long slide.

Technical data

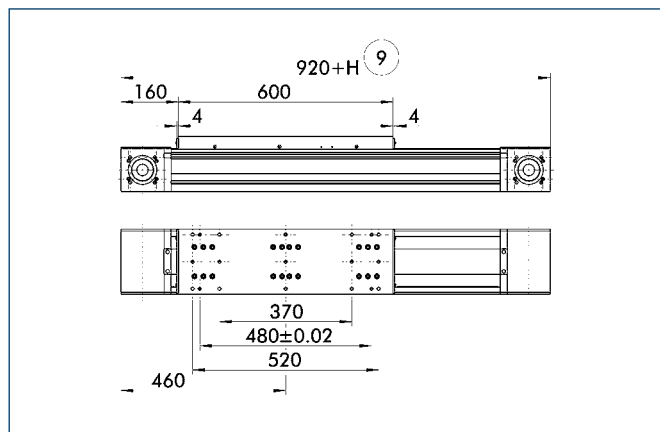
Designation		B 180C-ZRS	B 180C-ZSS
Max. travel speed	[m/s]	8	5
Repeat accuracy	[mm]	± 0.08	± 0.08
Max. acceleration	[m/s ²]	60	60
Idle torque	[Nm]	8.0	8.0
Drive			
Drive element	Toothed belt	75 AT 10	75 AT 10
Travel per revolution	[mm]	320	320
Maximum stroke	[mm]	5500	5500
Max. total length	[mm]	6200	6200
Moment of inertia	[kgm ²]	0.0425	0.0465
Weights			
Basic without travel	[kg]	37.7	39.7
Travel per 100 mm	[kg]	1.9	2.6
Slide plate 380 mm	[kg]	13.5	14.65
Slide plate 600 mm	[kg]	14.6	15.75

Main views



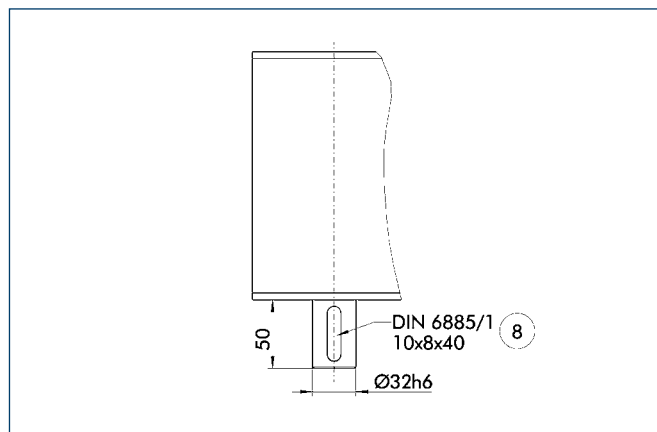
- ② Assembly connection
- ⑥ Drive connection
- ⑧ Feather key DIN 6885
- ⑨ Useful stroke
- ⑲ Mounting groove for T-nuts
- ⑳ Bolt pitch circle

Long slide



- ⑨ Useful stroke

Drive journal connection dimensions

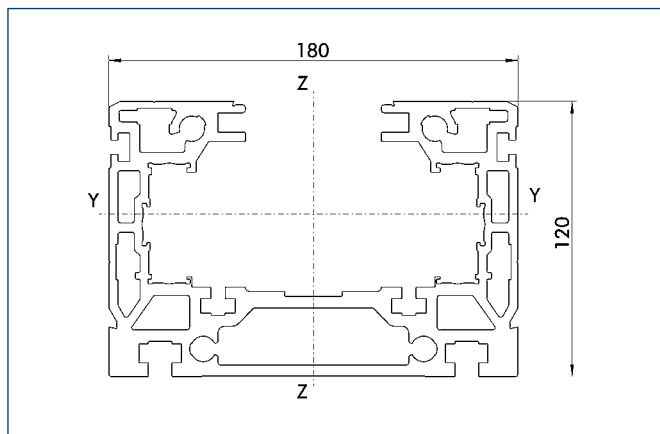


- ⑧ Feather key

B 180C-ZRS/-ZSS

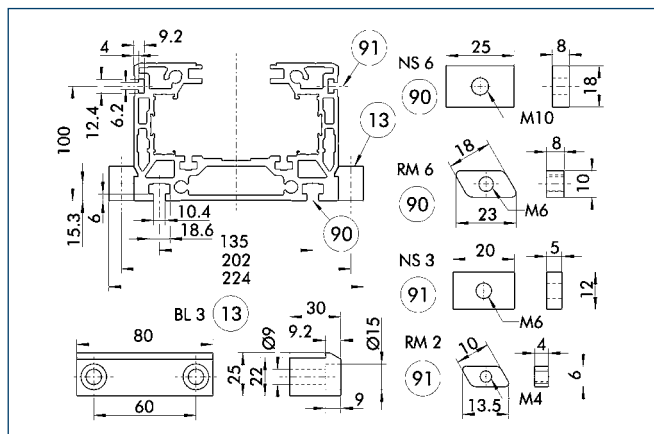
Linear Axes • Toothed-belt Drive

Profile ZRS/ZSS



Specific mass	[kg/m]	15.49
Planar dimension	[mm ²]	5736
Planar moment of inertia I _y	[mm ⁴]	9236448
Planar moment of inertia I _z	[mm ⁴]	23586987
Load torque W _y	[mm ³]	134968
Load torque W _z	[mm ³]	261545

Mounting

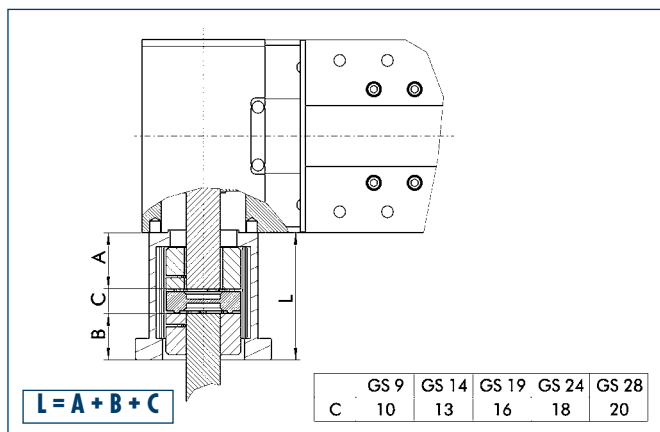


- ⑬ Mounting strip
- ⑨⑩ T-nut on base side
- ⑨① Side T-nut

The profile can be secured either using T-nuts or mounting strips.

Designation	Order designation	ID no.
T-nut	NS3	0331406
T-nut	NS6	0331409
T-nut	RM2	0331425
T-nut	RM6	0331427
Mounting strip	BL3	0331402

Motor flange schematic diagram



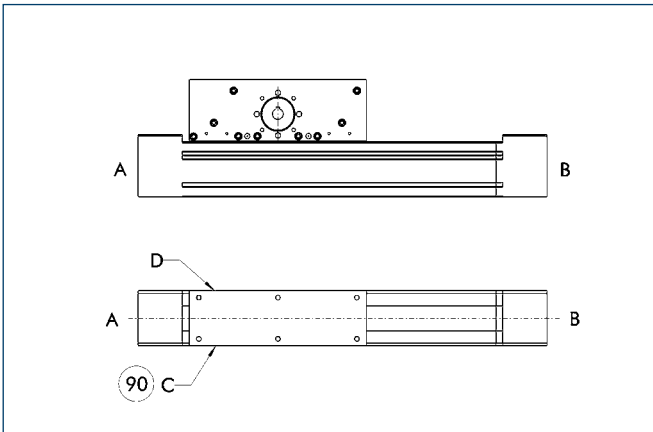
The table shows the relevant dimension **C** of the standard couplings. For dimension **A** refer to drive journal connection dimensions, for dimension **B** refer to corresponding motor dimension sheet, dimension **L** may differ in individual cases.

Different drive solutions can be attached to our axes. SCHUNK can supply you with the right motor flange and coupling for your drive.

① Because of the different thermal behavior of motors, we recommend that the drive solution is tested by the motor manufacturer.

More detailed information on pedestal bearings, connection shafts and bevel gears can be found in the "OPTIONS for System HSB" section of the catalog.

Limit switch position



90 Limit switch standard position

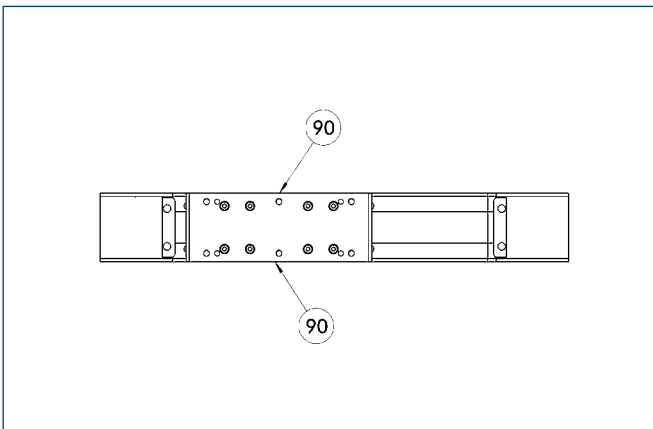
Two E02 switches are used as limit switches and an RS2 as the reference switch as standard.

① The positions and dimensions of limit switches, switching lugs, and mounting components may vary depending on the application and the selected limit switches. Please contact us for assistance.

Limit switch selection

Designation	Order designation	ID no.
Inductive limit switch, opener, 2 m cable	E02	0331410
Inductive limit switch, opener, 10 m cable	E010	0331412
Inductive limit switch, closer, 2 m cable	ES2	0331411
Inductive limit switch, closer, 10 m cable	ES10	0331413
Mechanical limit switch (Siemens), opener	EMS	0331414
Mechanical limit switch (Balluff), opener	EMB	0331415

Lubrication connections



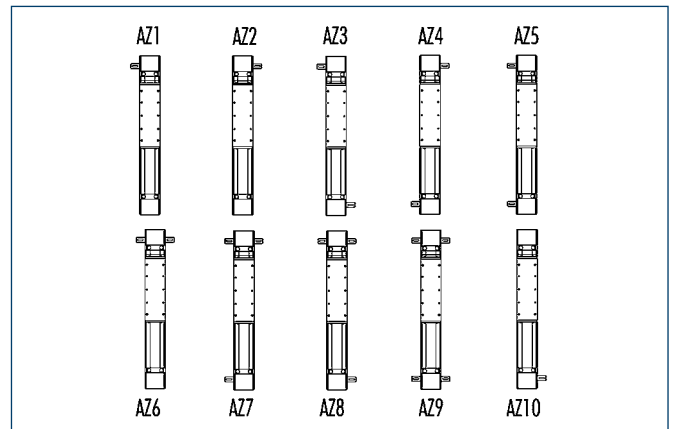
90 Standard lubrication connection

Standard connection

Lubrication nipple M8x1

If the lubrication connection has a different seat, this must be defined in the order text.

Drive shafts



Depending on the axis application, the drive shaft seat may need to be defined in the order text. Particularly with axis combinations and mechanical synchronization, multiple drive shafts - some of them continuous shafts - are required.

More detailed information on pedestal bearings, connection shafts and bevel gears can be found in the "OPTIONS for System HSB" section of the catalog.