

## 3-Finger Centric Gripper Type HZN, hydraulic

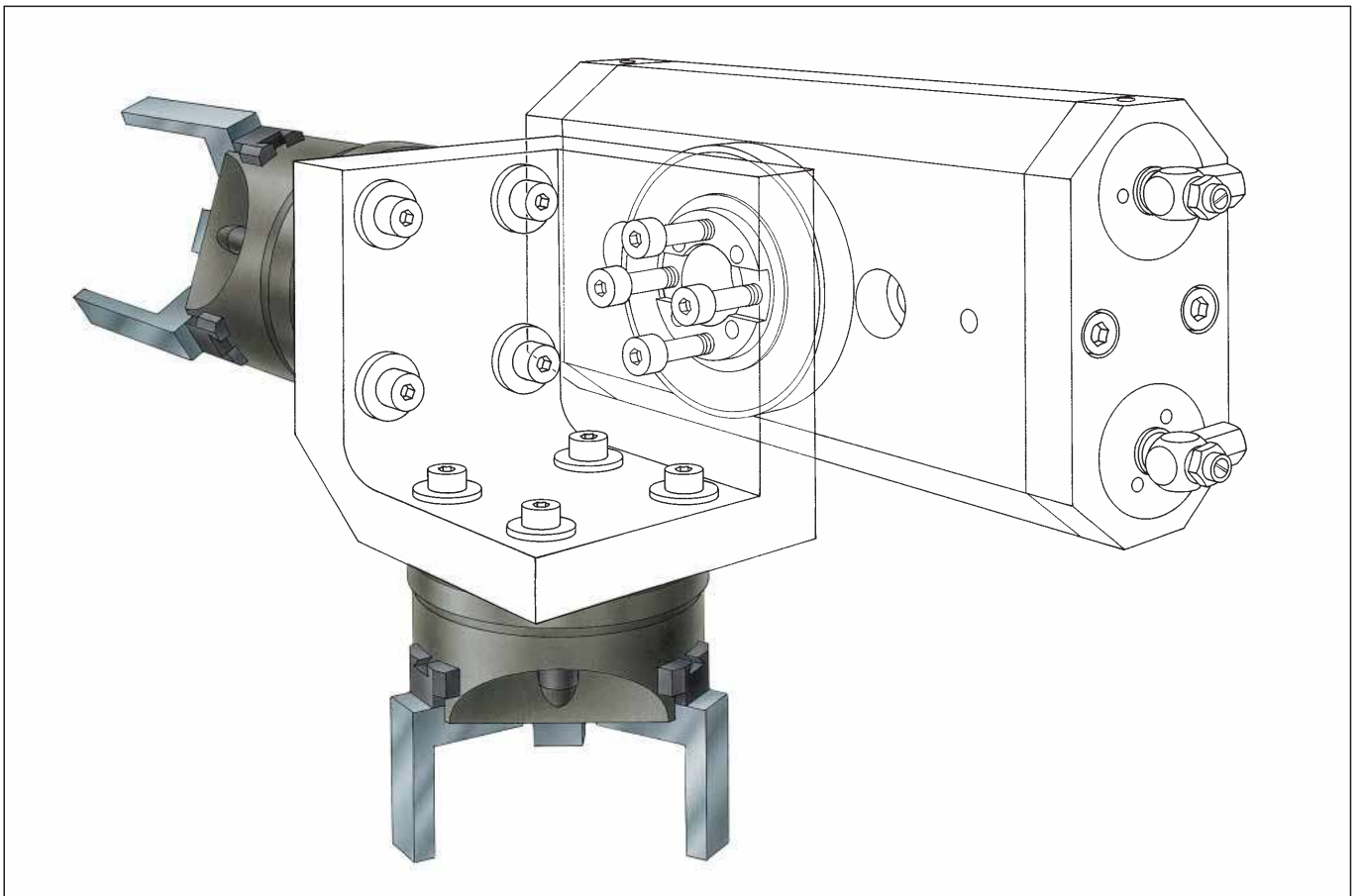




Figure with steel top jaws

## Benefits

- Very compact by virtue of the fact that the drive is integrated into the housing
- Very low weight due to the use of high-strength aluminium
- High gripping force through wedge and hook principle
- 4 sizes
- Good guidance properties thanks to flat guides
- Centric and parallel gripping movement due to positively-guided base jaws
- For O.D. and I.D. gripping
- Oil connection on 2 sides and gripper fastening on 1 side
- Stroke monitoring: 2 positions via proximity switches and 5 via Hall sensors

## Technical data

### Medium:

Hydraulic oil, filtered (10 µm) viscosity 46 mm<sup>2</sup>/s at 40 °C according to ISO VG, max. temperature 60 °C

### Operating pressure range:

from 30 - 60 bar

### Repeat accuracy:

HZN 80 and HZN 100 approx. 0.05 mm, HZN 125 and HZN 160 approx. 0.1 mm

### Pressure connections:

either on the sides or the base.

It is essential that you use a flow control valve set to 2 l/min.

### Maintenance:

permanently lubricated, re-lubrication recommended after 1.5 million strokes

### Method of functioning:

positively guided wedge hook system

### Material:

housing is made from high-strength, hard-coated aluminium alloy and the functional components are from hardened steel

### Type of gripping:

centric

### Installation position:

application-dependent

### Operating temperature:

from 5 °C - 60 °C

### Stroke control:

possible via proximity switches or flexible position sensors



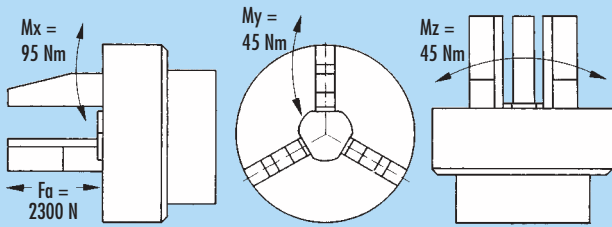
HZN 80

HZN 100

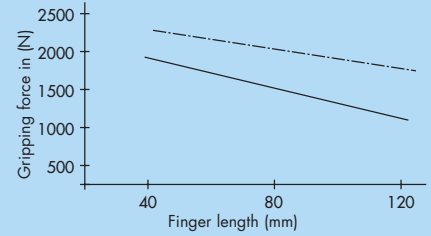
HZN 125

HZN 160

## Maximum permissible forces and torques at the gripping fingers \*



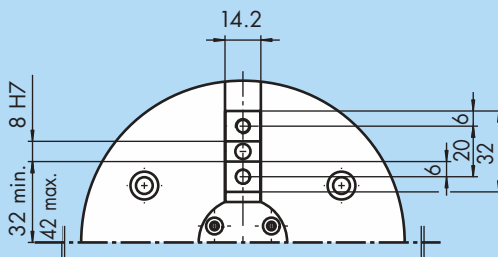
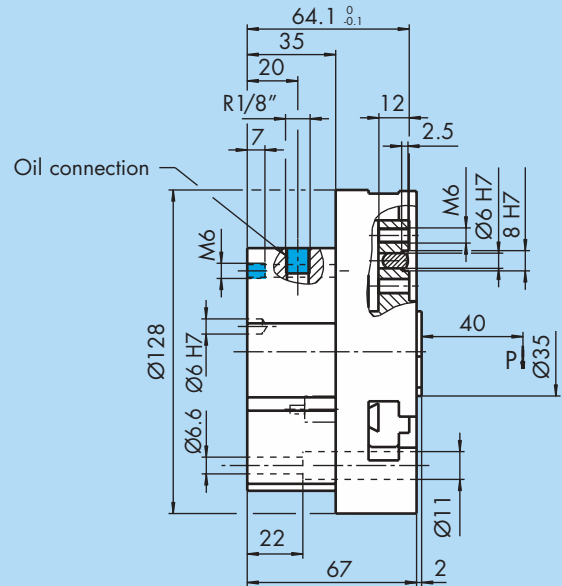
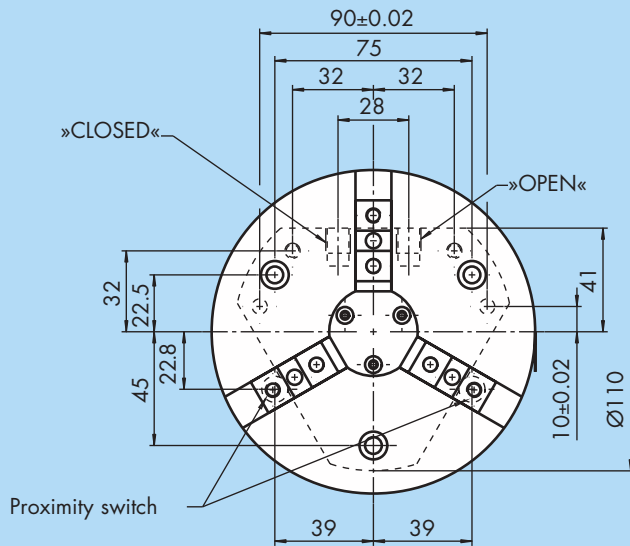
## Gripping force in relation to the finger length



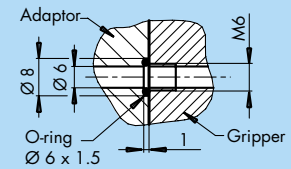
\*which may occur in addition to the gripping force

## Dimensions for HZN 100

● = Oil connection



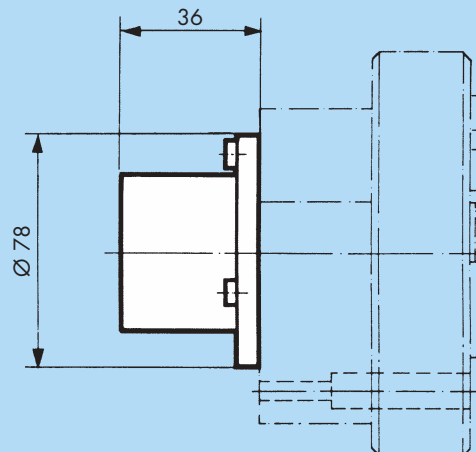
### Hose-free direct connection



### Gripping force safety device with spring only for O.D. gripping.

Can only be supplied on order with gripper.

Operating pressure range: min. 35 bar, max. 60 bar.



## 3-Finger Centric Gripper HZN 100 and HZN 100 AS with integrated maintenance of gripping force

Type	HZN 100	HZN 100 AS
ID. no.	300 332	300 336****
Stroke per jaw	10 mm	10 mm
Operating pressure max.	60 bar	60 bar
Gripping force at 60 bar*	1920 N	–
Max. workpiece weight** (recommended)	9.5 kg	9.5 kg
Oil volume per double stroke	16 cm <sup>3</sup>	16 cm <sup>3</sup>
Safety device force spring min.-max	–	550-770 N
Gripping force pressure+spring min.-max.****	–	2470-2690 N
Closing time only with spring	–	0.2 s
Opening time****	0.35 s	0.3 s
Closing time****	0.35 s	0.2 s
Mass	2.3 kg	3.2 kg
Mass moment of inertia	47 kg cm <sup>2</sup>	50 kg cm <sup>2</sup>
Repeat accuracy***	0.05 mm	0.05 mm
Max. finger length	100 mm	100 mm

- \* Gripping force is the arithmetic sum of the individual forces occurring at the gripper jaws at P
- \*\* Values at  $\mu = 0.1$  and safety factor  $v = 2$ . The values may be higher in the case of form-fit clamping.
- \*\*\* Variation of end positions after 100 consecutive strokes.
- \*\*\*\* Measured at 60 bar and R $\frac{1}{8}$ " connection.
- \*\*\*\*\* Id. no. includes gripper and gripping force

### Accessories for HZN 100



#### Inductive proximity switches

In easy-to-assemble version with LED display. For technical details see the »Accessories« catalogue.

Type	ID. no.
INW 80/S*	301 508 altern. 301 408

\* S = Closer



#### Flexible position sensors, FPS

In the HZN 100, it is possible to monitor up to 5 positions via the flexible position sensors, FPS. For a technical description see the »Accessories« catalogue.

Type	ID. no.
FPS-S 13	301 705
FPS-A 5	301 800
AS-HZN 80/100*	301 715

\* includes bracket, magnet and mounting screws.

For technical data see the »Accessories« catalogue.



#### Finger blanks

For technical details see the »Accessories« catalogue.

Type	Material	ID. no.
ABR 100	Aluminium	300 727
SBR 100	Steel	300 736

### System modules and further accessories for HZN



#### Swivel units

Combineable swivel units and heads are featured on Pages 40-47.



#### Special solutions

We can quickly supply cost-effective custom solutions, customised fingers, attachment plates and complete units to suit your specialised requirements.



#### Further accessories

For gripper pads to increase friction factors, pressure maintenance valves or distributors for proximity switches, see the »Accessories« catalogue.

### Note

Please note that the lifespan of these units can be reduced considerably if they are used in extreme conditions (e.g. where coolant is used or dust from casting or grinding processes is present). We cannot be held responsible in such cases. Solutions do exist for many problems – please contact us to find out more.



HZN 80

HZN 100

HZN 125

HZN 160