



Weight
0.065 kg
0.14 lbs



Workpiece weight
0.003 kg
0.01 lbs



Max. finger opening
3 mm .. 4 mm
0.118 in .. 0.157 in

Application example



For mounting gears in the watch and clock-making industry

- 1 Finger attachment (parallel or centric gripper available)
- 2 Front part of housing with drive unit

- 3 Button for initiating the gripping cycle
- 4 Rear part of housing with battery compartment

Manually Guided Gripper

MGM manual miniature gripper with 2-finger parallel or 3-finger centric gripper attachment

Area of application

For use as a gripping tool for small to very small components in assembly, sorting tasks, laboratory work, precise and manual joining processes and in many other applications with miniature components

Your advantages and benefits

Ergonomic shape

for comfortable, fatigue-free working

Replaceable fingers

for handling all kinds of components

Operation

Operation using a pushbutton

Time-controlled gripping cycle



General information on the series

Length

Approx. 160 mm without gripper fingers

Drive

Slow cycle: 1 x type AAA micro-battery and 1 x aluminum packing block

Fast cycle: 2 x type AAA micro-batteries

Period of use

Approx. 1 hour continuous operation with 1 set of batteries

Scope of delivery

Gripper drive and finger attachment

Batteries not included in scope of delivery

Warranty

24 months

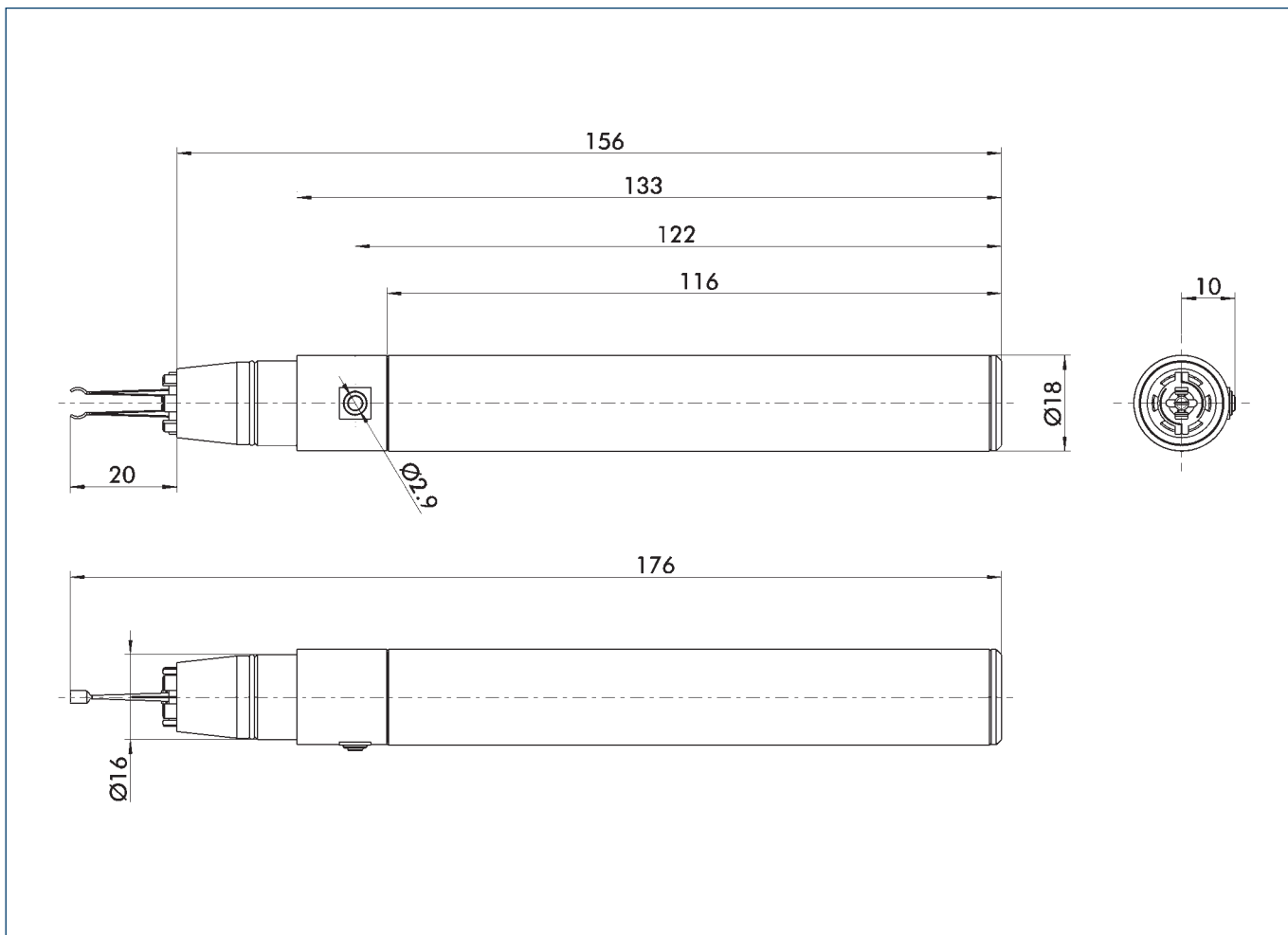


Technical data

Description		MGM	MGM	MGM	MGM
	ID	0301001	0301002	0301003	0301004
No. of fingers		2	2	3	3
Jaw design		parallel-narrow	parallel-wide	centric-narrow	centric-wide
Weight without batteries	kg [lbs]	0.065 [0.14]	0.065 [0.14]	0.065 [0.14]	0.065 [0.14]
Time for "Open-Closed-Open" cycle (fast)	s	1.0	1.0	1.0	1.0
Time for "Open-Closed-Open" cycle (slow)	s	2.0	2.0	2.0	2.0
Max. workpiece weight	kg [lbs]	0.003 [0.01]	0.003 [0.01]	0.003 [0.01]	0.003 [0.01]
Max. finger opening	mm [in]	4.0 [0.157]	4.0 [0.157]	4.0 [0.157]	4.0 [0.157]

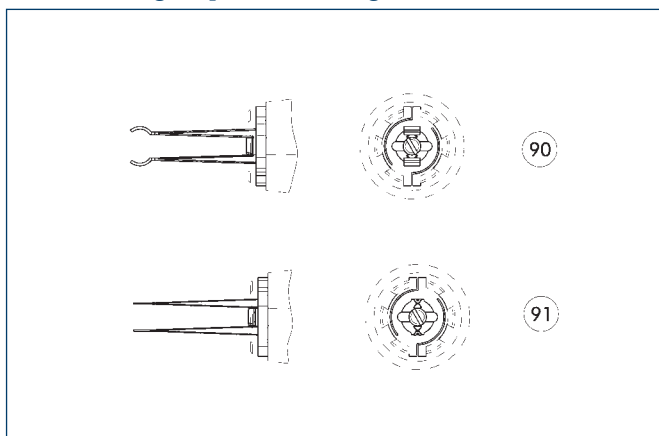
ⓘ The maximum workpiece weight that can be gripped depends upon the characteristics of the workpiece (shape, surface, material, ...) and varies within a certain tolerance range.

Main views



The drawing shows the gripper in the basic position with open fingers, and does not include the options described below.

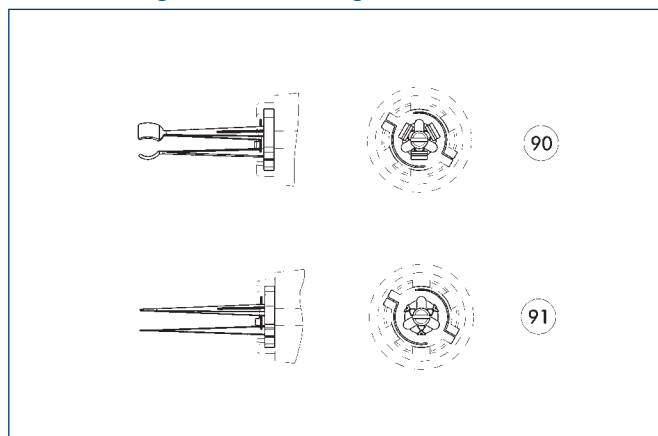
MGM 2-finger parallel finger attachment



⑨⑩ Finger attachment MGM, 2-finger, parallel—wide ⑨⑪ Finger attachment MGM, 2-finger, parallel—narrow
The MGM finger attachments are available with narrow and wide fingers for the different versions.

Description	ID	No. of fingers	Finger design	Weight [kg]
Finger attachments MGM	0301010	2	parallel—narrow	0.005
Finger attachments MGM	0301011	2	parallel—wide	0.005

MGM 3-finger centric finger attachment



⑨⑫ Finger attachment MGM, 3-finger, centric—wide ⑨⑬ Finger attachment MGM, 3-finger, centric—narrow
The MGM finger attachments are available with narrow and wide fingers for the different versions.

Description	ID	No. of fingers	Finger design	Weight [kg]
Finger attachments MGM	0301012	3	centric—narrow	0.005
Finger attachments MGM	0301013	3	centric—wide	0.005