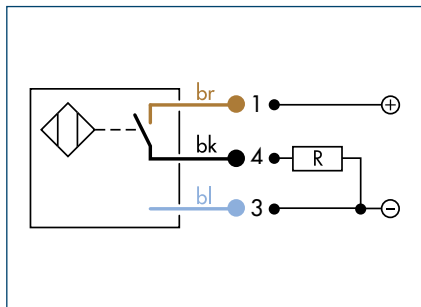
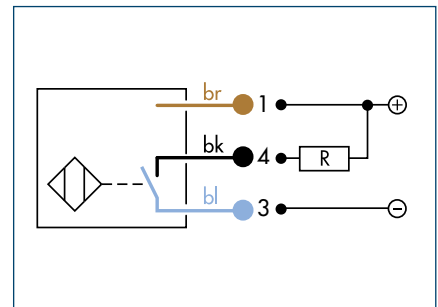




### Circuit diagram of PNP closer

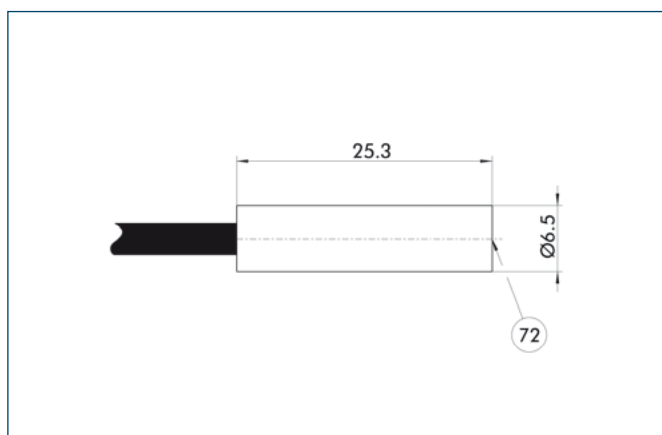


### Circuit diagram of NPN closer



Description	MMS-K 65-5-PNP	MMS-K 65-5-NPN
ID	0301423	0301424
Switching function	Closer	Closer
Switching method	PNP	NPN
Cable length [cm]	200.0	200.0
Type of voltage	DC	DC
Nominal voltage [V]	24.0	24.0
Min. voltage [V]	10.0	10.0
Max. voltage [V]	30.0	30.0
Max. power on contact [A]	0.2	0.2
Min. ambient temperature [°C]	-20.0	-20.0
Max. ambient temperature [°C]	70.0	70.0
IP class (sensor)	67	67
IP class (connector, plugged in)	67	67
No. of wires	3	3
Wire cross section [mm <sup>2</sup> ]	0.14	0.14

### MMSK 65/S sensor



72 Active sensor surface

