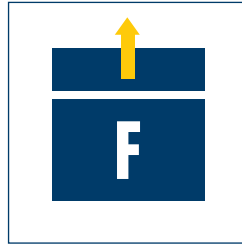




**Sizes**  
60 .. 96



**Weight**  
0.34 kg .. 2.52 kg  
0.75 lbs .. 5.56 lbs



**Advancing force**  
83 N .. 265 N  
18.7 lbf .. 60 lbf

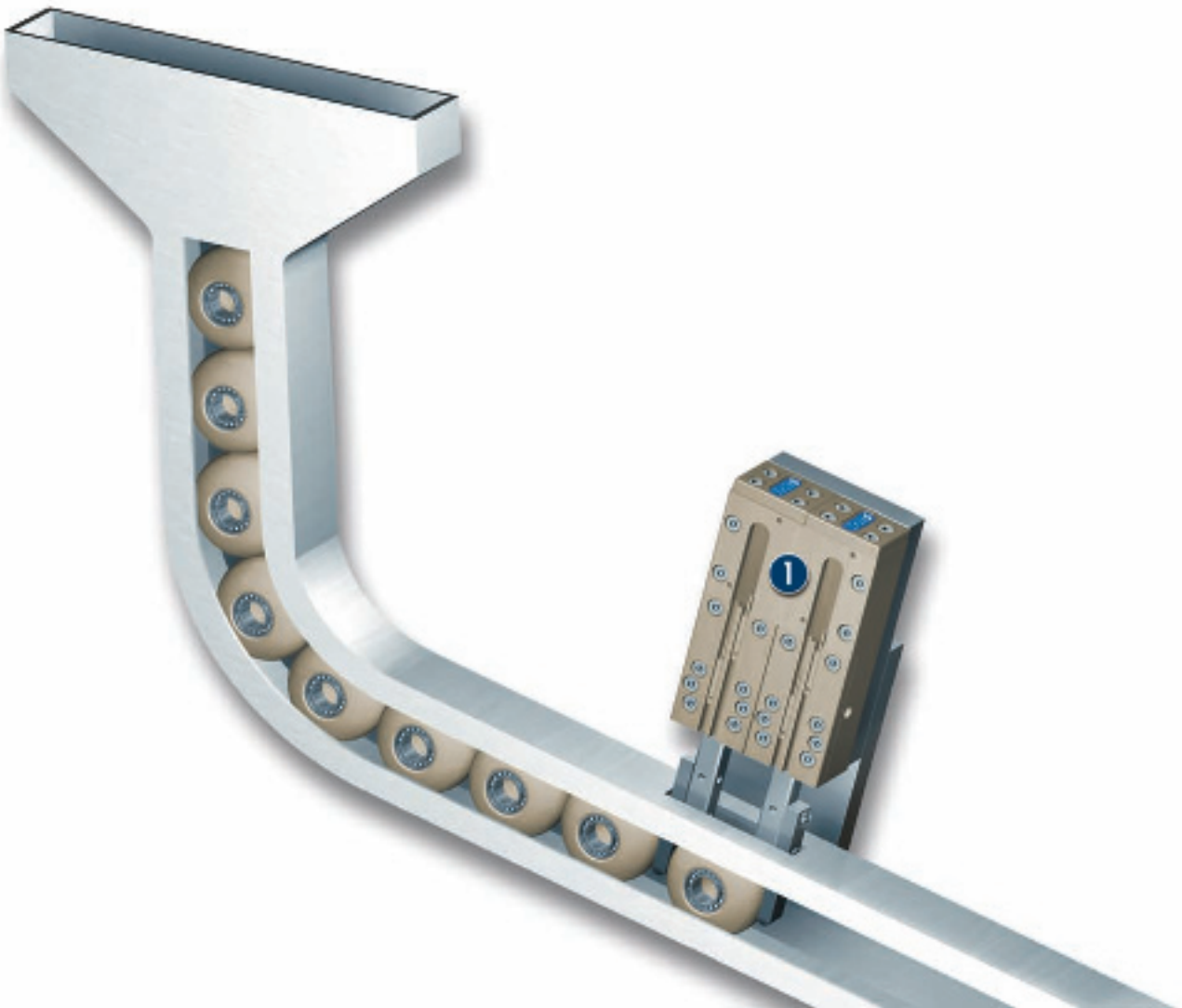


**Stroke**  
15 mm .. 60 mm  
0.591 in .. 2.362 in



**Bending moment**  
5 Nm .. 10 Nm  
3.7 lbf ft .. 7.4 lbf ft

### Application example



Combined magazing/separating/feed application for the rolling of inline skates

**1** PED 76 Double Escapement with workpiece-specific fingers

## Double Escapement

Double escapement with mutual forced locking

### Area of application

For use in the separate feed of bulk material or magazined workpieces. Its use is particularly recommended when two linked single escapements are employed in close proximity.

### Your advantages and benefits

#### Mechanical mutual forced locking

so that two fingers can never return at the same time. The magazine can never run empty and uncontrolled.

#### Attachment to the housing

allowing universal mounting of the escapement

#### Threads on four surfaces of the base finger

for the flexible attachment of the top fingers

#### Diverse options

(dust protection, spring lock) for optimization to suit precisely your requirements



### Information about the series

#### Working principle

Conventional, pneumatic round piston drive, directly connected to a square base finger

#### Housing material

Aluminum, hard-anodized

#### Base finger material

Polished stainless steel

#### Warranty

24 months

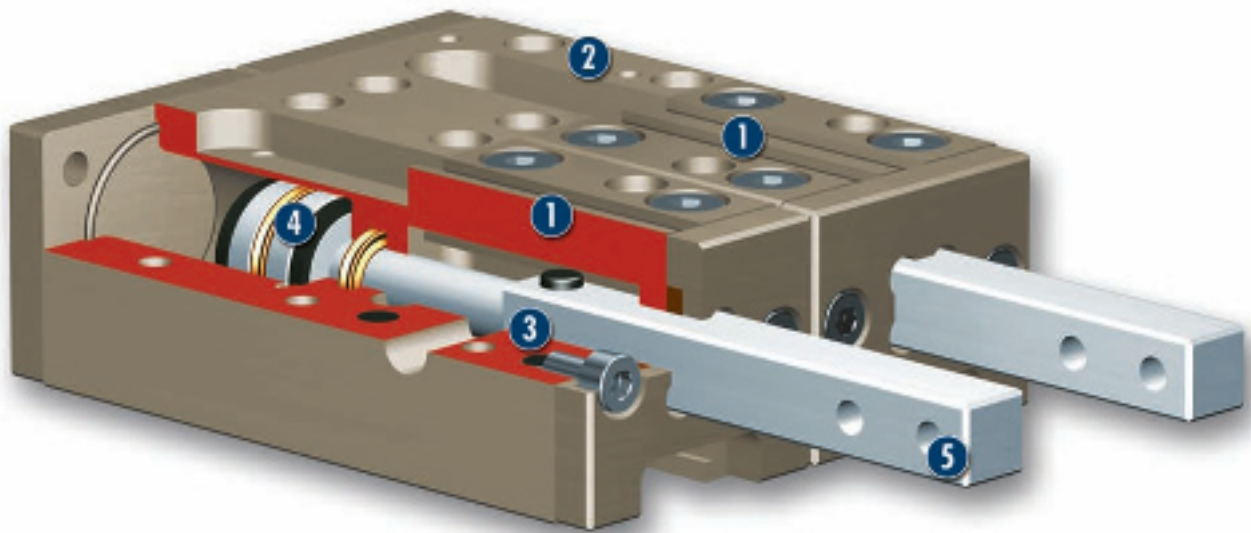
#### Actuation

Pneumatic, with filtered compressed air (10 µm): Dry, lubricated or non-lubricated  
Pressure medium: Required quality class of compressed air according to DIN ISO 8573-1: Quality class 4

#### Scope of delivery

Centering sleeves, T-slots, assembly and operating manual with manufacturer's declaration

### Sectional diagram



- 1 Monitoring**  
Integrated end position monitoring with magnetic switches
- 3 Guidance**  
Maximum precision and load-bearing capacity through guidance with minimum play
- 5 Mounting options**  
for universal finger assembly
- 2 Housing**  
Weight-reduced through the use of a hard-anodized, high-strength aluminum alloy
- 4 Drive**  
Pneumatic, powerful and easy to handle

### Function description

The pneumatic piston is moved by compressed air. This causes the square rod to extend and retract. The product-specific top finger mounted on the square rod separates the workpieces that are fed to it. The integrated forced locking device only permits the return of one square rod at a time.

### Options and special information

The PED's mechanical mutual forced locking device increases the reliability of the process.

#### Dust-protection version

Dust proof, increased degree of protection against the ingress of substances, for use in dusty environments.

**Accessories**

SCHUNK accessories – the suitable complement for the highest level of functionality, reliability and controlled production of all automation modules.

**Centering sleeves**



**Fittings**



**MMS magnetic switch**



**W/WK/KV/GK sensor cables**



**V sensor distributors**



**SDV-P pressure maintenance valves**



① For the exact size of the required accessories, availability of this size and the designation and ID, please refer to the additional views at the end of the size in question. You can find more detailed information on our accessory range in the "Accessories" catalog section.

**General information on the series**

**Using the PED as an escapement**

When the PED is used as an escapement, as a rule, a workpiece-specific top finger is mounted.

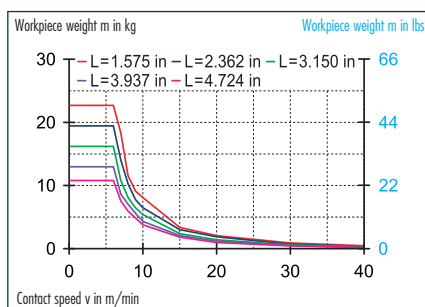
**T-slot mounting**

Alternatively, the PED can also be mounted using the groove on the rear and the supplied T-slots.

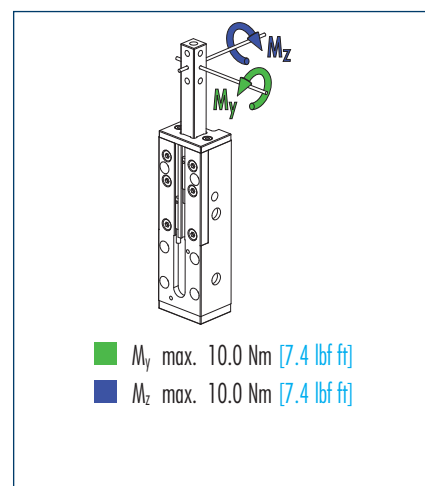




### Permitted weight/speed



### Finger load

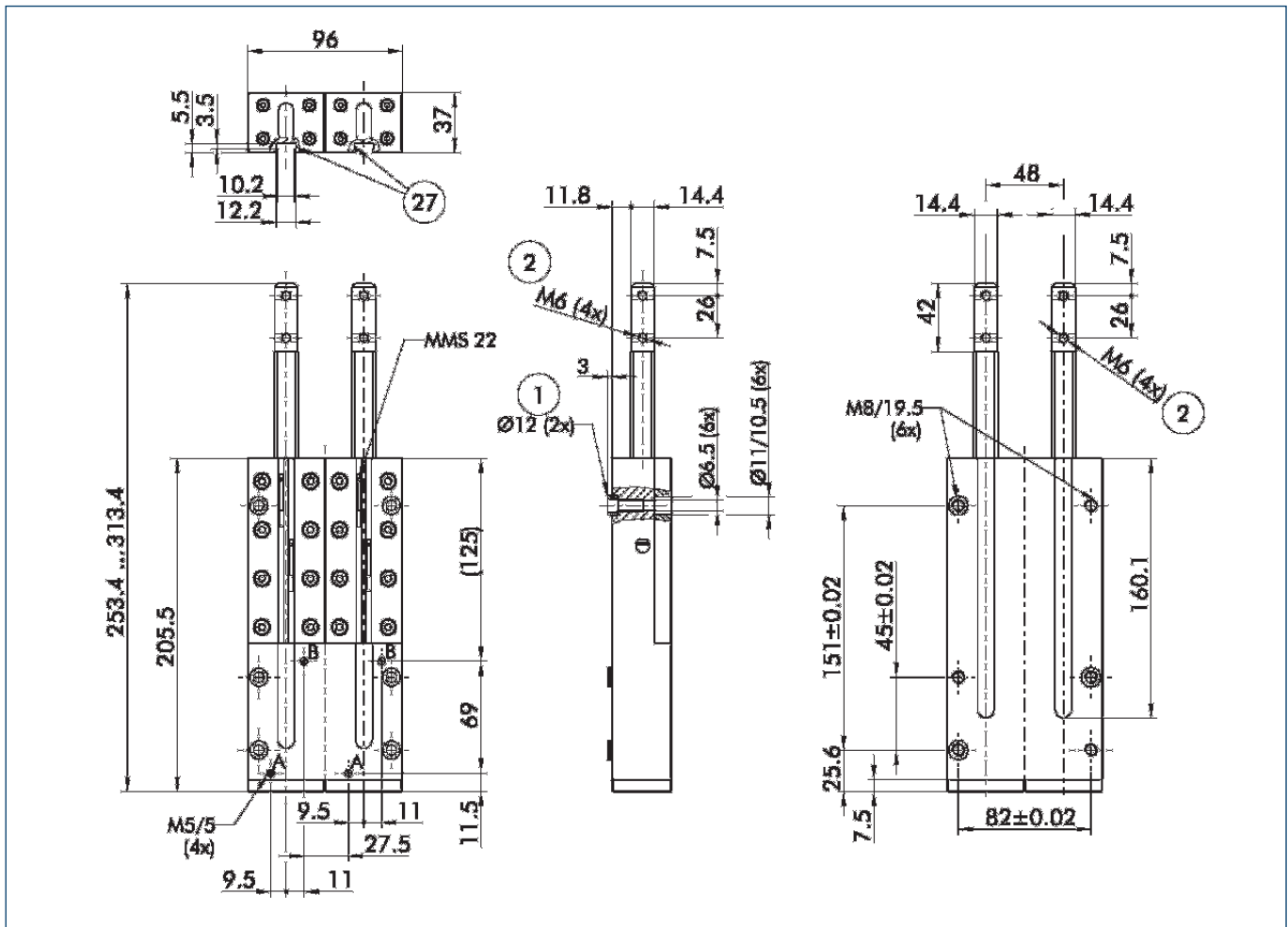


① Moments apply from the upper edge of the housing and may occur simultaneously. Leverages of forces are measured from the upper edge of the housing.

### Technical data

Description		PED 96	PED 96-FS	PED 96-SD	PED 96-FS-SD
	ID	0302670	0302671	0302483	0302484
Max. bending moment	Nm [lbf ft]	10.0 [7.4]	10.0 [7.4]	10.0 [7.4]	10.0 [7.4]
Weight	kg [lbs]	2.28 [5.03]	2.52 [5.56]	2.28 [5.03]	2.52 [5.56]
Stroke	mm [in]	60.0 [2.362]	60.0 [2.362]	60.0 [2.362]	60.0 [2.362]
Advancing force	N [lbf]	244.0 [55]	265.0 [60]	244.0 [55]	265.0 [60]
Spring lock		No	Yes	No	Yes
Min. spring force	N [lbf]		17.0 [3.8]		17.0 [3.8]
Max. permitted finger weight	kg [lbs]	0.42 [0.93]	0.42 [0.93]	0.42 [0.93]	0.42 [0.93]
Dust protection		No	No	Yes	Yes
IP class		40	40	64	64
Air consumption per double stroke of a finger	cm <sup>3</sup> [in <sup>3</sup> ]	99.0 [6.04]	99.0 [6.04]	99.0 [6.04]	99.0 [6.04]
Nominal pressure	bar [psi]	6.0 [87]	6.0 [87]	6.0 [87]	6.0 [87]
Minimum pressure	bar [psi]	2.0 [29]	2.0 [29]	2.0 [29]	2.0 [29]
Maximum pressure	bar [psi]	6.0 [87]	6.0 [87]	6.0 [87]	6.0 [87]
Min. ambient temperature	°C [°F]	-10.0 [14]	-10.0 [14]	-10.0 [14]	-10.0 [14]
Max. ambient temperature	°C [°F]	90.0 [194]	90.0 [194]	90.0 [194]	90.0 [194]

### Main views

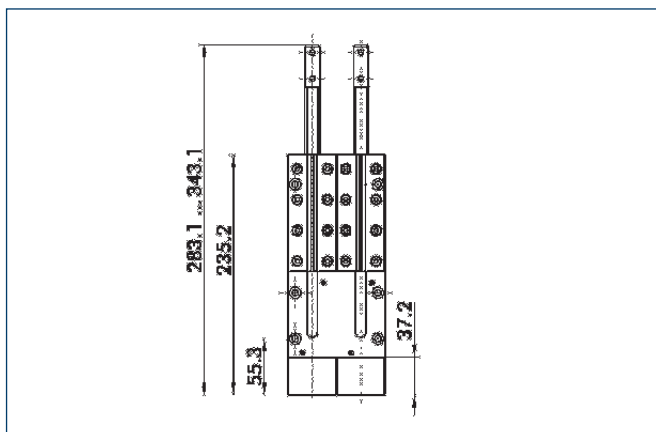


The drawing shows the escapement in the basic version, the dimensions do not include the options described below.

① As an alternative to the spring-loaded positioning lock, the SDV-P pressure maintenance valve can be used (see "Accessories" catalog section).

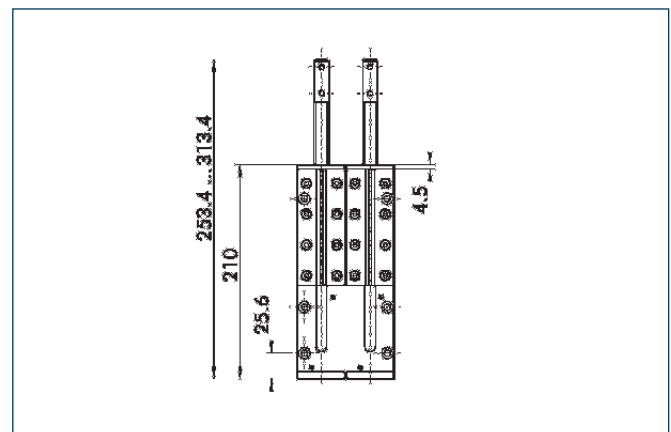
- A,a Main/direct connection, extend advance linear unit
- B,b Main/direct connection, return retract linear unit
- ① Linear unit connection
- ② Connection of the unit
- ②⑦ Fastening groove for T-nuts

### FS spring lock



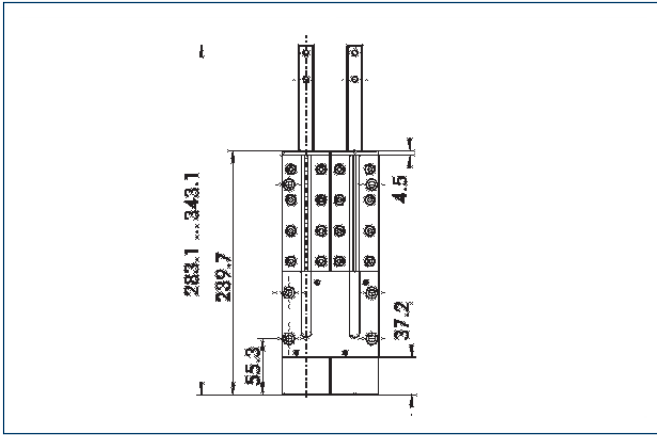
The spring lock ensures that the escapement does not return, thereby releasing the parts, if there is a drop in pressure.

### Dust-protection version



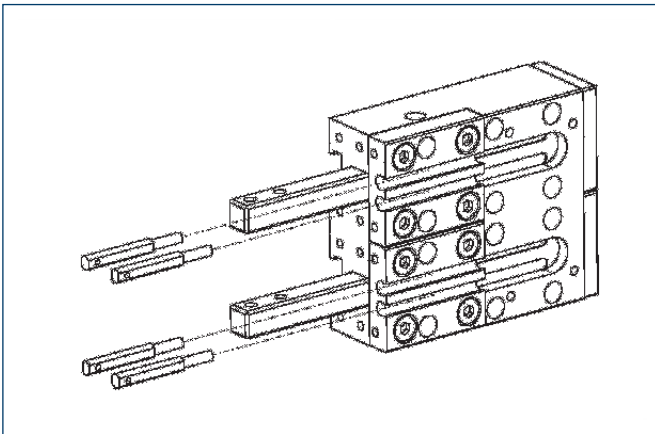
With its additional cover panel, the dust-protection version increases tightness from IP40 to IP64.

### Spring lock and dust protection



You can find more detailed information and individual parts of the above-mentioned accessories in the "Accessories" catalog section.

### Sensor system



#### End position monitoring:

#### Electronic magnetic switches, for mounting in C-slot

Description	ID	Recommended product
MMS 22-S-M5-NPN	0301455	
MMS 22-S-M5-NPN-SA	0301461	
MMS 22-S-M5-PNP	0301454	
MMS 22-S-M5-PNP-SA	0301460	
MMS 22-S-M8-NPN	0301451	
MMS 22-S-M8-NPN-SA	0301457	
MMS 22-S-M8-PNP	0301450	•
MMS 22-S-M8-PNP-SA	0301456	
MMSK 22-S-NPN	0301453	
MMSK 22-S-NPN-SA	0301459	
MMSK 22-S-PNP	0301452	
MMSK 22-S-PNP-SA	0301458	

- ① Four sensors (NO contacts) are required for each double escapement, plus extension cables as an option.

#### Extension cables for proximity switches/magnetic switches

Description	ID
GK 3-M5-PNP/NPN	0301652
GK 3-M8	0301622
KV 10-M8	0301496
KV 20-M8	0301497
W 3-M5-PNP/NPN	0301650
WK 3-M8	0301594
WK 3-M8 NPN	0301602
WK 5-M8	0301502
WK 5-M8 NPN	9641116

- ① Please note the minimum permitted bending radii for the sensor cables, which are generally 35 mm.



You can find more detailed information and individual parts of the above-mentioned accessories in the "Accessories" catalog section.