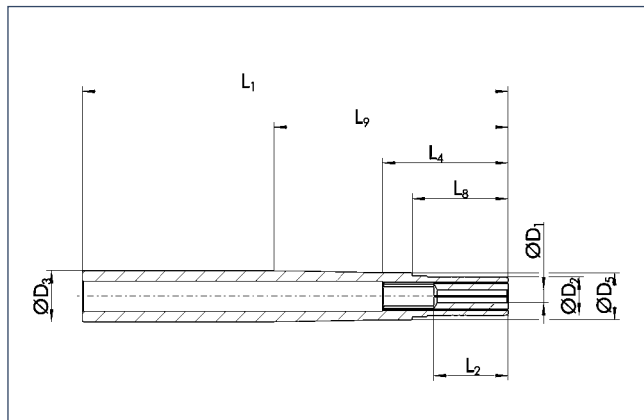


TRIBOS-Mini SVL-4"-1/2"

works perfectly when combined with our TENDO or TRIBOS toolholders



TRIBOS-Mini SVL-4"-1/2"

trabajo perfecto en combinación con nuestros portaherramientas TENDO o TRIBOS



< 0.003 mm



125000 min⁻¹



G 2.5



HPC
HSC



Technical data

D ₁ [inch]	ID		D ₂ [mm]	D ₃ [inch]	D ₅ [mm]	L ₁ [inch]	L ₂ * [mm]	L ₄ [mm]	L ₈ [mm]	L ₉ [mm]	M _{min} [Nm]	m [kg]	SRE ID
1/8"	25001518	•	9.0	1/2"	10.0	4"	17.5	29.5	22.5	55.0		0.08	0201971
3/16"	25001296	•	9.0	1/2"	10.0	4"	17.5	29.5	22.5	55.0		0.08	0201971

Datos técnicos

- Can be supplied from stock

Design suitable for MQL operations available on request

Additional sizes and special designs available on request

- Posible suministro de existencias

Diseño apto para operaciones MQL disponible a pedido

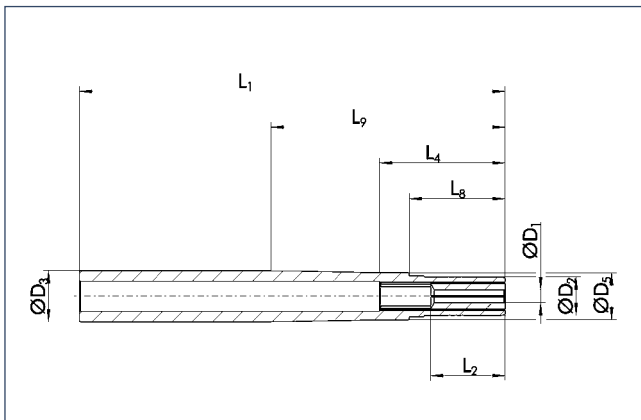
Tamaños adicionales y diseños especiales disponibles a pedido

TRIBOS-Mini SVL-100-12

works perfectly when combined with our TENDO or TRIBOS toolholders

TRIBOS-Mini SVL-100-12

trabajo perfecto en combinación con nuestros portaherramientas TENDO o TRIBOS



< 0.003 mm



125000 min⁻¹



25000 min⁻¹



Technical data

Datos técnicos

D ₁ [mm]	ID	D ₂ [mm]	D ₃ [mm]	D ₅ [mm]	L ₁ [mm]	L ₂ * [mm]	L ₄ [mm]	L ₈ [mm]	L ₉ [mm]	M _{min} [Nm]	m [kg]	SRE ID
0.3	0215603	9.0	12.0	11.0	100.0	17.5	29.5	22.5	55.0	0.08	0.08	0201971
0.4	0215604	9.0	12.0	11.0	100.0	17.5	29.5	22.5	55.0	0.08	0.08	0201971
0.5	0215605	9.0	12.0	11.0	100.0	17.5	29.5	22.5	55.0	0.08	0.08	0201971
0.6	0215606	9.0	12.0	11.0	100.0	17.5	29.5	22.5	55.0	0.08	0.08	0201971
0.7	0215607	9.0	12.0	11.0	100.0	17.5	29.5	22.5	55.0	0.08	0.08	0201971
0.8	0215608	9.0	12.0	11.0	100.0	17.5	29.5	22.5	55.0	0.08	0.08	0201971
0.9	0215609	9.0	12.0	11.0	100.0	17.5	29.5	22.5	55.0	0.08	0.08	0201971
1.0	0215610	9.0	12.0	11.0	100.0	17.5	29.5	22.5	55.0	0.08	0.08	0201971
1.1	0215611	9.0	12.0	11.0	100.0	17.5	29.5	22.5	55.0	0.08	0.08	0201971
1.2	0215612	9.0	12.0	11.0	100.0	17.5	29.5	22.5	55.0	0.08	0.08	0201971
1.3	0215613	9.0	12.0	11.0	100.0	17.5	29.5	22.5	55.0	0.08	0.08	0201971
1.4	0215614	9.0	12.0	11.0	100.0	17.5	29.5	22.5	55.0	0.08	0.08	0201971
1.5	0215615	9.0	12.0	11.0	100.0	17.5	29.5	22.5	55.0	0.08	0.08	0201971
1.6	0215616	9.0	12.0	11.0	100.0	17.5	29.5	22.5	55.0	0.08	0.08	0201971
1.7	0215617	9.0	12.0	11.0	100.0	17.5	29.5	22.5	55.0	0.08	0.08	0201971
1.8	0215618	9.0	12.0	11.0	100.0	17.5	29.5	22.5	55.0	0.08	0.08	0201971
1.9	0215619	9.0	12.0	11.0	100.0	17.5	29.5	22.5	55.0	0.08	0.08	0201971

• Can be supplied from stock

• Posible suministro de existencias

Design suitable for MQL operations available on request

Diseño apto para operaciones MQL disponible a pedido

Bore for data carrier as an option

Orificio para portador de datos como opción

Additional sizes and special designs available on request

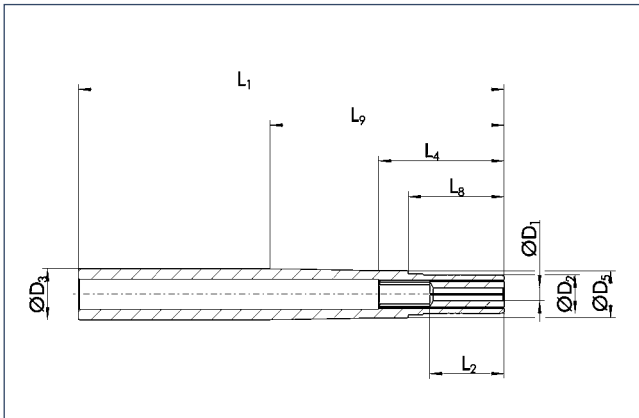
Tamaños adicionales y diseños especiales disponibles a pedido

TRIBOS-Mini SVL-100-12

works perfectly when combined with our TENDO or TRIBOS toolholders

TRIBOS-Mini SVL-100-12

trabajo perfecto en combinación con nuestros portaherramientas TENDO o TRIBOS



Technical data

Datos técnicos

D ₁ [mm]	ID		D ₂ [mm]	D ₃ [mm]	D ₅ [mm]	L ₁ [mm]	L ₂ * [mm]	L ₄ [mm]	L ₈ [mm]	L ₉ [mm]	M _{min} [Nm]	m [kg]	SRE ID
2.0	0215620	•	9.0	12.0	11.0	100.0	17.5	29.5	22.5	55.0		0.08	0201971
2.1	0215621		9.0	12.0	11.0	100.0	17.5	29.5	22.5	55.0		0.08	0201971
2.2	0215622		9.0	12.0	11.0	100.0	17.5	29.5	22.5	55.0		0.08	0201971
2.3	0215623		9.0	12.0	11.0	100.0	17.5	29.5	22.5	55.0		0.08	0201971
2.4	0215624		9.0	12.0	11.0	100.0	17.5	29.5	22.5	55.0		0.08	0201971
2.5	0215625		9.0	12.0	11.0	100.0	17.5	29.5	22.5	55.0		0.08	0201971
2.6	0215626		9.0	12.0	11.0	100.0	17.5	29.5	22.5	55.0		0.08	0201971
2.7	0215627		9.0	12.0	11.0	100.0	17.5	29.5	22.5	55.0		0.08	0201971
2.8	0215628		9.0	12.0	11.0	100.0	17.5	29.5	22.5	55.0		0.08	0201971
2.9	0215629		9.0	12.0	11.0	100.0	17.5	29.5	22.5	55.0		0.08	0201971
3.0	0215630	•	9.0	12.0	11.0	100.0	17.5	29.5	22.5	55.0	1.5	0.08	0201971
3.1	0215631		9.0	12.0	11.0	100.0	17.5	29.5	22.5	55.0	1.6	0.08	0201971
3.2	0215632		9.0	12.0	11.0	100.0	17.5	29.5	22.5	55.0	1.7	0.08	0201971
3.3	0215633		9.0	12.0	11.0	100.0	17.5	29.5	22.5	55.0	1.8	0.08	0201971
3.4	0215634		9.0	12.0	11.0	100.0	17.5	29.5	22.5	55.0	1.9	0.08	0201971
3.5	0215635		9.0	12.0	11.0	100.0	17.5	29.5	22.5	55.0	2.0	0.08	0201971
3.6	0215636		9.0	12.0	11.0	100.0	17.5	29.5	22.5	55.0	2.1	0.08	0201971
3.7	0215637		9.0	12.0	11.0	100.0	17.5	29.5	22.5	55.0	2.2	0.08	0201971
3.8	0215638		9.0	12.0	11.0	100.0	17.5	29.5	22.5	55.0	2.3	0.08	0201971
3.9	0215639		9.0	12.0	11.0	100.0	17.5	29.5	22.5	55.0	2.4	0.08	0201971

• Can be supplied from stock

• Posible suministro de existencias

Design suitable for MQL operations available on request
 Bore for data carrier as an option

Diseño apto para operaciones MQL disponible a pedido
 Orificio para portador de datos como opción

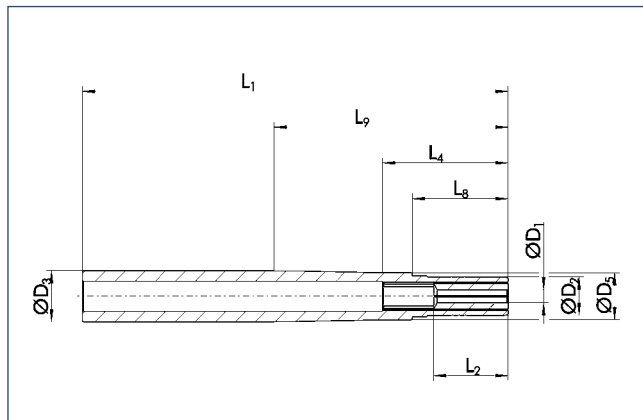
Additional sizes and special designs available on request

Tamaños adicionales y diseños especiales disponibles a pedido

Ext.

TRIBOS-Mini SVL-100-12

works perfectly when combined with our TENDO or TRIBOS toolholders



TRIBOS-Mini SVL-100-12

trabajo perfecto en combinación con nuestros portaherramientas TENDO o TRIBOS



< 0.003 mm



125000 min⁻¹



25000 min⁻¹



Technical data

Datos técnicos

D ₁ [mm]	ID		D ₂ [mm]	D ₃ [mm]	D ₅ [mm]	L ₁ [mm]	L ₂ * [mm]	L ₄ [mm]	L ₈ [mm]	L ₉ [mm]	M _{min} [Nm]	m [kg]	SRE ID
4.0	0205617	•	9.0	12.0	11.0	100.0	17.5	29.5	22.5	55.0	2.5	0.08	0201971
4.1	0215641		9.0	12.0	11.0	100.0	17.5	29.5	22.5	55.0	2.6	0.08	0201971
4.2	0215642		9.0	12.0	11.0	100.0	17.5	29.5	22.5	55.0	2.7	0.08	0201971
4.3	0215643		9.0	12.0	11.0	100.0	17.5	29.5	22.5	55.0	2.8	0.08	0201971
4.4	0215644		9.0	12.0	11.0	100.0	17.5	29.5	22.5	55.0	2.9	0.08	0201971
4.5	0215645		9.0	12.0	11.0	100.0	17.5	29.5	22.5	55.0	3.0	0.08	0201971
4.6	0215646		9.0	12.0	11.0	100.0	17.5	29.5	22.5	55.0	3.1	0.08	0201971
4.7	0215647		9.0	12.0	11.0	100.0	17.5	29.5	22.5	55.0	3.2	0.08	0201971
4.8	0215648		9.0	12.0	11.0	100.0	17.5	29.5	22.5	55.0	3.3	0.08	0201971
4.9	0215649		9.0	12.0	11.0	100.0	17.5	29.5	22.5	55.0	3.4	0.08	0201971
5.0	0205618	•	9.0	12.0	11.0	100.0	17.5	29.5	22.5	55.0	3.5	0.08	0201971

• Can be supplied from stock

Design suitable for MQL operations available on request

Bore for data carrier as an option

Additional sizes and special designs available on request

• Posible suministro de existencias

Diseño apto para operaciones MQL disponible a pedido

Orificio para portador de datos como opción

Tamaños adicionales y diseños especiales disponibles a pedido