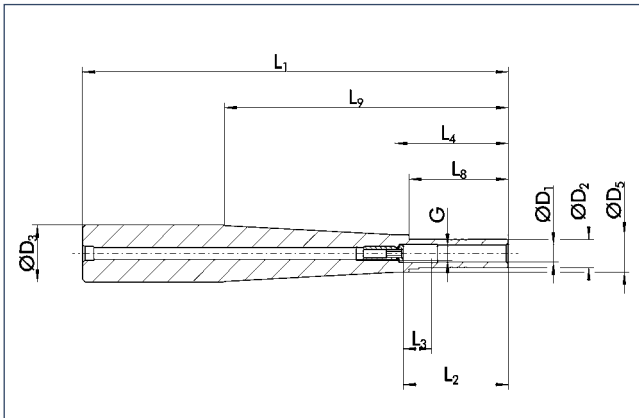


TRIBOS SVL-4"-3/4"

works perfectly when combined with our TENDO or TRIBOS toolholders

TRIBOS SVL-4"-3/4"

trabajo perfecto en combinación con nuestros portaherramientas TENDO o TRIBOS



Technical data

Datos técnicos

D ₁ [inch]	ID		D ₂ [mm]	D ₃ [inch]	D ₅ [mm]	L ₁ [inch]	L ₂ * [mm]	L ₃ [mm]	L ₄ [mm]	L ₈ [mm]	L ₉ [mm]	G	M _{min} [Nm]	m [kg]	SRE ID
1/4"	0205990	•	10.3	3/4"	13.1	4"	37.0	10.0	40.0	35.0	49.0	M5	6.0	0.18	0201988
5/16"	0205991	•	13.0	3/4"	15.1	4"	37.0	10.0	40.0	35.0	49.0	M6	12.0	0.19	0201973
3/8"	0205992	•	15.0	3/4"	17.1	4"	42.0	10.0	45.0	40.0	49.0	M6	20.0	0.19	0201989
1/2"	0205994	•	20.0	3/4"	22.1	4"	47.0	10.0	49.1	45.0		M8x1	40.0	0.19	0201991

• Can be supplied from stock

• Posible suministro de existencias

☑ Design suitable for MQL operations available on request

☑ Diseño apto para operaciones MQL disponible a pedido

ℹ The 250 mm-version can be shortened up to 200 mm
Also available in heavy metal

ℹ La versión de 250 mm se puede acortar hasta 200 mm
También disponible en metal pesado

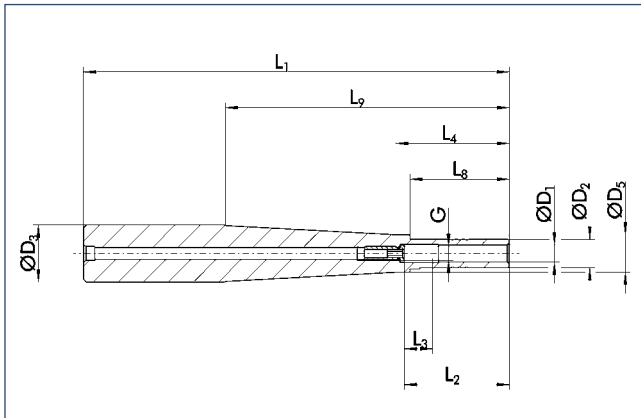
Ext.

TRIBOS SVL-6"-3/4"

works perfectly when combined with our TENDO or TRIBOS toolholders

TRIBOS SVL-6"-3/4"

trabajo perfecto en combinación con nuestros portaherramientas TENDO o TRIBOS



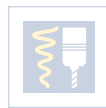
<math>< 0.003 \text{ mm}</math>



85000 min⁻¹



25000 min⁻¹



Technical data

Datos técnicos

D ₁ [inch]	ID		D ₂ [mm]	D ₃ [inch]	D ₅ [mm]	L ₁ [inch]	L ₂ * [mm]	L ₃ [mm]	L ₄ [mm]	L ₈ [mm]	L ₉ [mm]	G	M _{min} [Nm]	m [kg]	SRE ID
1/4"	0205940	•	10.3	3/4"	13.1	6"	37.0	10.0	40.0	35.0	100.0	M5	6.0	0.26	0201988
5/16"	0205941	•	13.0	3/4"	15.1	6"	37.0	10.0	40.0	35.0	100.0	M6	12.0	0.27	0201973
3/8"	0205942	•	15.0	3/4"	17.1	6"	42.0	10.0	45.0	40.0	100.0	M6	20.0	0.29	0201989
7/16"	0205943	•	17.8	3/4"	19.9	6"	42.0	10.0	99.9	40.0		M8x1	25.0	0.2	0201989
1/2"	0205944	•	20.0	3/4"	22.1	6"	47.0	10.0	99.9	45.0		M8x1	40.0	0.31	0201991
5/8"	0205995	•	25.0	3/4"	27.1	6"	48.0	10.0	99.9	45.0		M10x1	70.0	0.33	0201977
3/4"	0205996	•	29.0	3/4"	31.1	6"	52.0	10.0	99.9	45.0		M10x1	120.0	0.35	0201992

• Can be supplied from stock

Design suitable for MQL operations available on request

Additional sizes and special designs available on request

• Posible suministro de existencias

Diseño apto para operaciones MQL disponible a pedido

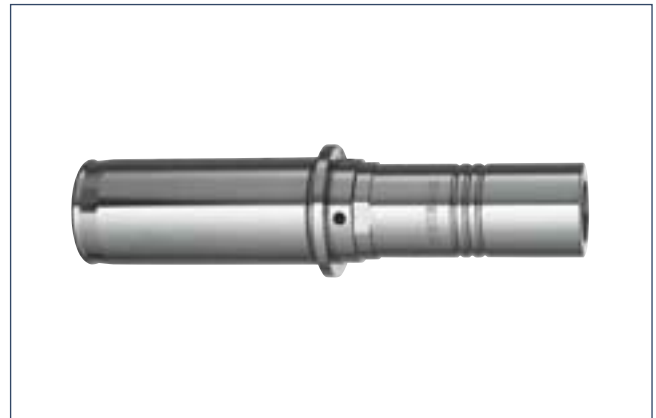
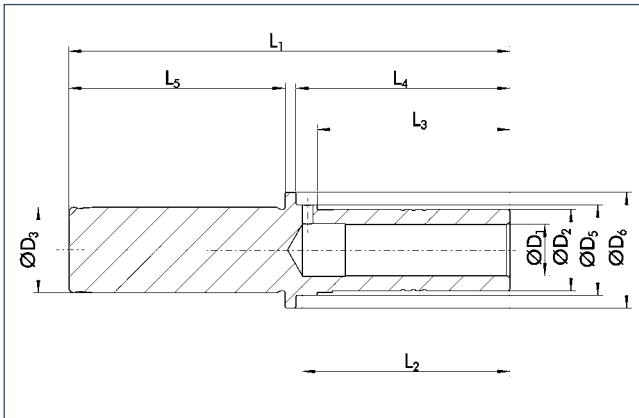
Tamaños adicionales y diseños especiales disponibles a pedido

TRIBOS SVL with collar

works perfectly when combined with our TENDO or TRIBOS toolholders for tool grinding

TRIBOS SVL con collar

trabajo perfecto en combinación con nuestros portaherramientas TENDO o TRIBOS para el rectificado de herramientas



Technical data

Datos técnicos

D ₁ [inch]	ID	D ₂ [mm]	D ₃ [inch]	D ₅ [mm]	D ₆ [mm]	L ₁ [mm]	L ₂ [mm]	L ₃ [mm]	L ₄ [mm]	L ₅ [mm]	M _{min} [Nm]	m [kg]	SRE ID
1/8"	≡												
3/16"	≡												
1/4"	≡												
5/16"	≡												
3/8"	25001569	15.0	1 1/4"	17.1	37.0	98.0	43.5	40.0	45.0	50.5	20.0	0.2	0201989
7/16"	≡												
1/2"	25001568	20.0	1 1/4"	22.1	37.0	103.0	48.5	45.0	50.0	50.5	40.0	0.23	0201991
9/16"	≡												
5/8"	≡												
3/4"	25001567	29.0	1 1/4"	31.1	37.0	110.0	52.9	45.0	57.0	50.5	120.0	0.36	0201992

- ≡ Additional sizes can be clamped with intermediate sleeves
- Can be supplied from stock

- ≡ Para sujetar con casquillos intermedios
- Posible suministro de existencias

- ☑ Design suitable for MQL operations available on request
- ☑ Bore for data carrier as an option

- ☑ Diseño apto para operaciones MQL disponible a pedido
- ☑ Orificio para portador de datos como opción

- ℹ Additional sizes and special designs available on request

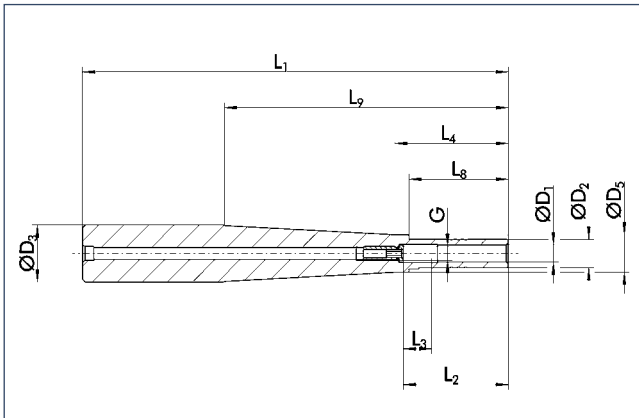
- ℹ Tamaños adicionales y diseños especiales disponibles a pedido

TRIBOS SVL-100, SVL-150, SVL-250 D₃=20

works perfectly when combined with our TENDO or TRIBOS toolholders

TRIBOS SVL-100, SVL-150, SVL-250 D₃=20

trabajo perfecto en combinación con nuestros portaherramientas TENDO o TRIBOS



<math>< 0.003\text{ mm}</math>



85000 min⁻¹



G 2.5



Technical data

Datos técnicos

D ₁ [mm]	ID		D ₂ [mm]	D ₃ [mm]	D ₅ [mm]	L ₁ [mm]	L ₂ [mm]	L ₃ [mm]	L ₄ [mm]	L ₈ [mm]	L ₉ [mm]	G	M _{min} [Nm]	m [kg]	SRE ID
6.0	0205600	•	10.0	20.0	13.0	100.0	37.0	10.0	40.0	35.0	50.0	M5	5.0	0.186	0201972
8.0	0205601	•	13.0	20.0	15.0	100.0	37.0	10.0	40.0	35.0	50.0	M6	12.0	0.195	0201973
10.0	0205602	•	16.0	20.0	18.0	100.0	42.0	10.0	45.0	40.0	50.0	M8x1	20.0	0.198	0201974
12.0	0205603	•	19.0	20.0		100.0	47.0	10.0		45.0		M8x1	30.0	0.2	0201975
6.0	0205604	•	10.0	20.0	13.0	150.0	37.0	10.0	40.0	35.0	100.0	M5	5.0	0.266	0201972
8.0	0205605	•	13.0	20.0	15.0	150.0	37.0	10.0	40.0	35.0	100.0	M6	12.0	0.278	0201973
10.0	0205606	•	16.0	20.0	18.0	150.0	42.0	10.0	45.0	40.0	100.0	M8x1	20.0	0.292	0201974
12.0	0205607	•	19.0	20.0		150.0	47.0	10.0		45.0		M8x1	30.0	0.318	0201975
6.0	0205645		10.0	20.0	13.0	250.0	37.0	10.0	40.0	35.0	50.0	M5	5.0	0.36	0201972
8.0	0205646		13.0	20.0	15.0	250.0	37.0	10.0	40.0	35.0	50.0	M6	12.0	0.39	0201973
10.0	0205647		16.0	20.0	18.0	250.0	42.0	10.0	45.0	40.0	50.0	M8x1	20.0	0.4	0201974
12.0	0205648		19.0	20.0		250.0	47.0	10.0		45.0		M8x1	30.0	0.41	0201975

• Can be supplied from stock

• Posible suministro de existencias

Design suitable for MQL operations available on request
 Bore for data carrier as an option

Diseño apto para operaciones MQL disponible a pedido
 Orificio para portador de datos como opción

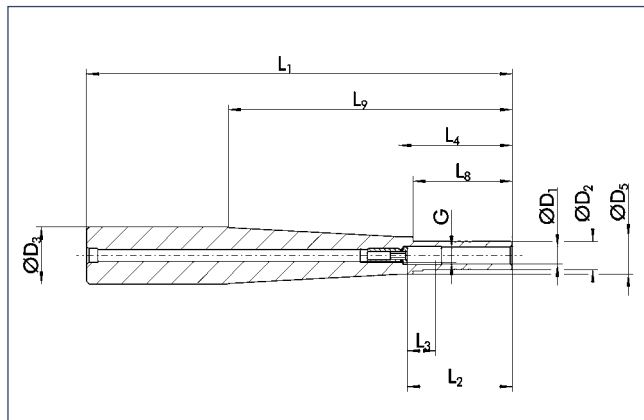
The 250 mm-version can be shortened up to 200 mm
 Also available in heavy metal

La versión de 250 mm se puede acortar hasta 200 mm
 También disponible en metal pesado

Ext.

TRIBOS SVL-150-32

works perfectly when combined with our TENDO or TRIBOS toolholders



TRIBOS SVL-150-32

trabajo perfecto en combinación con nuestros portaherramientas TENDO o TRIBOS



Technical data

Datos técnicos

D ₁ [mm]	ID	D ₂ [mm]	D ₃ [mm]	D ₅ [mm]	L ₁ [mm]	L ₂ [mm]	L ₃ [mm]	L ₄ [mm]	L ₈ [mm]	L ₉ [mm]	G	M _{min} [Nm]	m [kg]	SRE ID
6.0	≡													
8.0	≡													
10.0	≡													
12.0	≡													
14.0	0205612	22.0	32.0	24.0	150.0	47.0	10.0	50.0	45.0	85.0	M10x1	50.0	0.6	0201976
16.0	0205613	25.0	32.0	27.0	150.0	48.0	10.0	50.0	45.0	85.0	M10x1	70.0	0.65	0201977
18.0	0205614	28.0	32.0	30.0	150.0	48.0	10.0	50.0	45.0	85.0	M10x1	100.0	0.65	0201979
20.0	0205619	30.0	32.0		150.0	52.0	10.0		45.0		M10x1	150.0	0.7	0201981

≡ Additional sizes can be clamped with intermediate sleeves
 • Can be supplied from stock

≡ Para sujetar con casquillos intermedios
 • Posible suministro de existencias

🔧 Design suitable for MQL operations available on request
 📄 Bore for data carrier as an option

🔧 Diseño apto para operaciones MQL disponible a pedido
 📄 Orificio para portador de datos como opción

📄 Also available in heavy metal

📄 También disponible en metal pesado



Clamping devices
see chapter accessories

Dispositivos de sujeción
consulte el capítulo sobre accesorios



Reduction inserts
see chapter accessories

Insertos de reducción
consulte el capítulo sobre accesorios



Length measuring devices
see chapter accessories

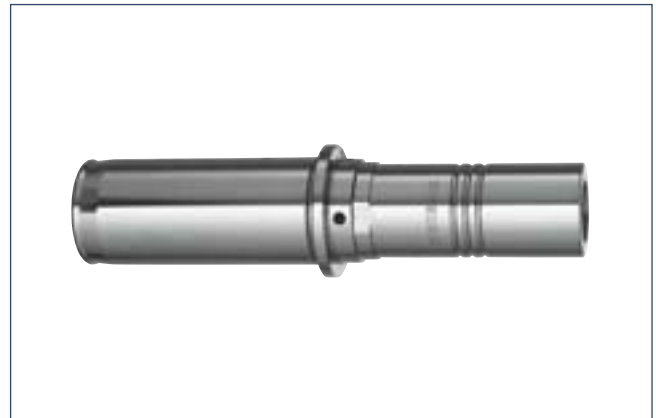
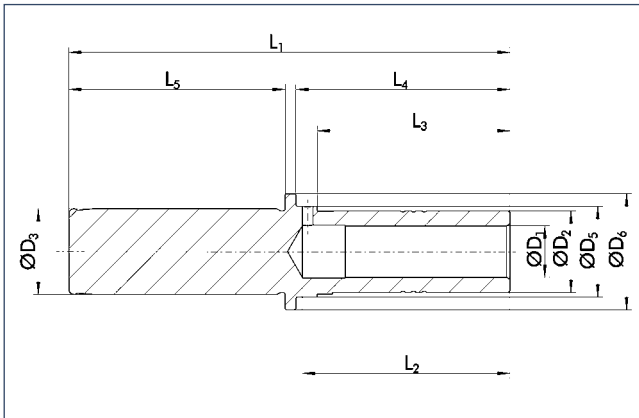
Disp. de medición de la longitud
consulte el capítulo sobre accesorios

TRIBOS SVL with collar

works perfectly when combined with our TENDO or TRIBOS toolholders for tool grinding

TRIBOS SVL con collar

trabajo perfecto en combinación con nuestros portaherramientas TENDO o TRIBOS para el rectificado de herramientas



Technical data

Datos técnicos

D ₁ [mm]	ID	D ₂ [mm]	D ₃ [mm]	D ₅ [mm]	D ₆ [mm]	L ₁ [mm]	L ₂ [mm]	L ₃ [mm]	L ₄ [mm]	L ₅ [mm]	M _{min} [Nm]	m [kg]	SRE ID
6.0	0215501	10.0	20.0	13.0	27.0	93.0	38.5	35.0	40.0	50.5	5.0	0.12	0201972
8.0	0215502	13.0	20.0	15.0	27.0	93.0	38.5	35.0	40.0	50.5	12.0	0.14	0201973
10.0	0215503	16.0	20.0	18.0	27.0	98.0	43.5	40.0	45.0	50.5	20.0	0.17	0201974
12.0	0215504	19.0	20.0	21.0	27.0	103.0	48.5	45.0	50.0	50.5	30.0	0.2	0201975
14.0	0215509	22.0	20.0	24.0	27.0	103.0	48.0	45.0	50.0	50.5	50.0	0.24	0201976
16.0	0215505	25.0	20.0	27.0	37.0	105.0	49.5	45.0	52.0	50.5	70.0	0.27	0201977
18.0	0215500	28.0	20.0	30.0	37.0	105.0	49.0	45.0	52.0	50.5	100.0	0.29	0201979
20.0	0215506	30.0	20.0	32.0	37.0	110.0	53.0	45.0	57.0	50.5	150.0	0.33	0201981
6.0	0215511	10.0	22.0	13.0	27.0	93.0	38.5	35.0	40.0	50.5	5.0	0.15	0201972
8.0	0215512	13.0	22.0	15.0	27.0	93.0	38.5	35.0	40.0	50.5	12.0	0.17	0201973
10.0	0215513	16.0	22.0	18.0	27.0	98.0	43.5	40.0	45.0	50.5	20.0	0.2	0201974
12.0	0215514	19.0	22.0	21.0	27.0	103.0	48.5	45.0	50.0	50.5	30.0	0.23	0201975
14.0	0215519	22.0	22.0	24.0	27.0	103.0	48.0	45.0	50.0	50.5	50.0	0.27	0201976
16.0	0215515	25.0	22.0	27.0	37.0	105.0	49.5	45.0	52.0	50.5	70.0	0.3	0201977
18.0	0215510	28.0	22.0	30.0	37.0	105.0	49.0	45.0	52.0	50.5	100.0	0.32	0201979
20.0	0215516	30.0	22.0	32.0	37.0	110.0	53.0	45.0	57.0	50.5	150.0	0.36	0201981

• Can be supplied from stock

• Posible suministro de existencias

🔧 Design suitable for MQL operations available on request

🔧 Diseño apto para operaciones MQL disponible a pedido

📄 Additional sizes and special designs available on request

📄 Tamaños adicionales y diseños especiales disponibles a pedido