

Cable and connector

Connecting cable for the flexible connection of electric gripper modules and modules of the PowerCube series.



Your advantages and benefits

High flexibility and tensile strength

for a long service life

Excellent EMC properties

through various shielding methods and the use of special materials.

Special shell and insulation materials

for high safety in the application

Application example



Area of application

For cabling of automation modules with each other and to external controllers.

- 1 Hybrid cable PAE 003 coiled
- 2 Hybrid cable PAE 001 straight
- 3 Servo-electric Rotary Actuator PR 70
- 4 Servo-electric Linear Axis with ball-screw spindle drive PLS
- 5 PG 70 2-Finger Parallel Gripper

General information

Warranty
24 months

Hybrid cable PAE

Accessories · For Electric Modules · **Cable/Connector**

Hybrid cable for PowerCube modules

POWER  **CUBE**



for combined information and energy transmission.
Coiled version with high restoring forces and extension length to a multiple of the closed block length.

Technical data

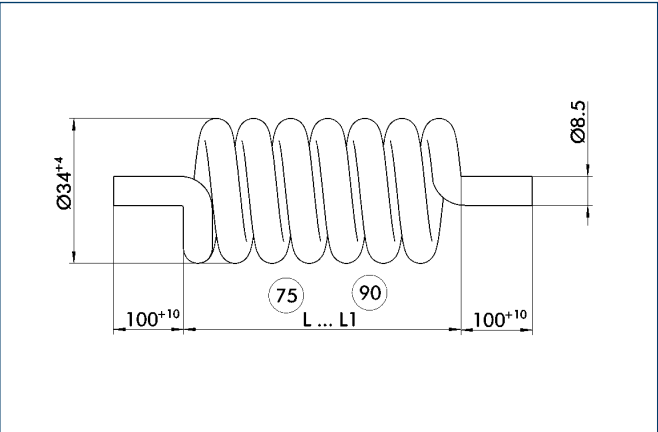
Description		PAE 001	PAE 002	PAE 003
	ID	9941120	307753	307754
Version		straight	coiled	coiled
Basic length	[m]		0.3	0.46
Extended length	[m]		0.8	1.5
Operating voltage, drive	[V]	600	600	600
Operating voltage, communication/logic	[V]	450	450	450
Cable diameter	[mm]	8.5	8.5	8.5
Minimum bending radius	[mm]	42.5	42.5	42.5
Optimum bending radius	[mm]	85	85	85
Number of conductors, drive		2	2	2
Wire size, drive	[mm ²]	2.5	2.5	2.5
Number of conductors, communication/logic		4	4	4
Wire size, communication/logic	[mm ²]	0.15	0.15	0.15

① The basic dimensions and wire size of the PAE 001 cable correspond to the cable versions PAE 002 and PAE 003.

The 'Hybrid cable' is recommended for the use in CAN-Bus- or RS232-systems.

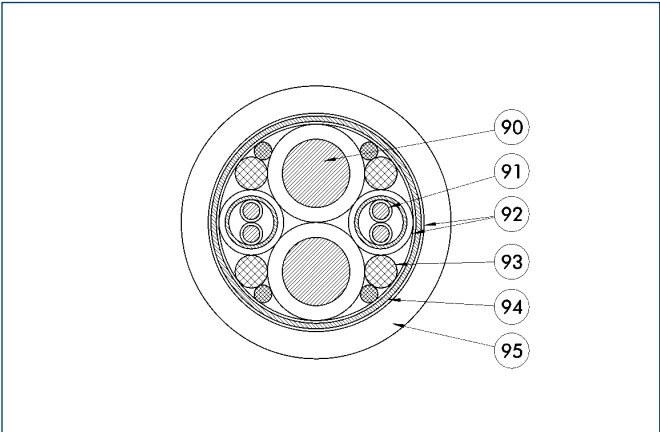
For Profibus applications we recommend to use a separate standardized Profibus cable for the communication.

PAE 002/PAE 003



- ⑦⑤ Cable length
- ⑨① extended cable lengths

Wire size, PAE



- ⑨① 2 wires with 2.5 mm²
- ⑨② 2 wires with 0.15 mm²
- ⑨③ Filler
- ⑨④ Shielding
- ⑨⑤ Wrapping
- ⑨⑥ Insulating

The drawing shows the hybrid cable PAE in cross section.